

Hardware Guide

Drawer Slides | Shelving | Closet and Specialty Hardware



Contents



Drawer Slides 2

For more than a century, we've studied and mastered the mechanics of motion hardware and drawer slides. We offer a wide variety of disconnects, extensions, movement designs, bearing options, and evolving choices for mounting, detent, finishes, and more. Our in-stock options are extensive with solutions at every price point and for every level of application duty.



Shelving 63

Knape & Vogt's shelving hardware has been helping to store and support people's most important possessions for over a century. Standards, brackets, pilaster standards, clips, supports and flanged brackets—we offer U.S.-made solutions that range from elegant and decorative to oversized and heavy-duty.



Closet and Specialty Hardware 92

For cabinetry, storage and woodworking projects, Knape & Vogt offers attractive and durable specialty hardware, including pulls, fasteners, catches, mirror clips, glass clips, door locks and joint fasteners.

Index 112

Limited Warranty and Return Policy 113

Knape & Vogt's names and logos and all related trademarks, including series numbers (e.g., 85 and 185 Series), trademarks and other intellectual property are the property of Knape & Vogt Manufacturing Company and cannot be used without its express prior written permission.



Drawer Slides

How to Choose a Drawer Slide 3
 Drawer Slide Quick Reference and Application Matrices 4

Light-Duty Drawer Slides 9

1175 3/4 Extension Center Under Drawer Slide 10
 1300 3/4 Extension Drawer Slides 11
 1805 Epoxy-Coated Drawer Slide 12
 8350 3/4 Extension Drawer Slides 13
 4400 Low Profile Full Extension Drawer Slide 14
 4450 Low Profile Full Extension Soft-Close Drawer Slide 15

Medium-Duty Drawer Slides 16

8400 Full Extension Box or File Drawer Slide 18
 8405 Over Travel Box or File Drawer Slide 19
 8407 Full Extension Box or File Drawer Slide with Shelf Tabs 20
 8414 Full Extension Hold-Out Drawer Slide 21
 8417, 8419, 8400RV Self-Closing Drawer Slides 22
 8420, 8425 Metal Cabinet and Drawer Slide 23
 8450FM, 8455FM Soft-Close Drawer Slides 24
 KV GSlide GS4200, GS4205 Drawer Slide 25
 KV GSlide GS4260 Push-Open Drawer Slide 26
 KV GSlide GS4270 Soft-Close Drawer Slide 27
 KV Tru-Trac TT100 Full Extension Ball-Bearing Drawer Slide 28
 KV DuriSlide 4500 Ball-Bearing Drawer Slide 29

Undermount Drawer Slides 30

KV GSlide GS2070 Full Extension Undermount Drawer Slide 31
 MuV+ Full Extension Undermount Drawer Slide 32
 MuV+34 Full Extension Undermount Drawer Slide 33
 MuV+HD Heavy-Duty Full Extension Undermount Drawer Slide 34
 MuV+34HD Heavy-Duty Full Extension Undermount Drawer Slide 35

Heavy-Duty Drawer Slides 36

6500, 6505 Box or File Drawer Slide 37
 8500, 8505 Heavy-Duty File or Lateral Drawer Slides 38
 8520, 8525 Extra Heavy-Duty File or Lateral Drawer Slides 39
 8600, 8605 Heavy-Duty Drawer Slide 40
 8620, 8625 Metal Cabinet and Drawer Slide 41
 8650FM, 8655FM Heavy-Duty Soft-Close Drawer Slide 42
 8810, 8815 Heavy-Duty Drawer Slide 43
 8820, 8825 Heavy-Duty Metal Cabinet and Drawer Slide 44
 8900 Extra Heavy-Duty Full Extension Drawer Slide 45
 8908, 8909, 8910 Extra Heavy-Duty Full Extension Locking Drawer Slides 46

Specialty Drawer Slides 47

6300 Corrosion Resistant Finish Drawer Slide 48
 6400 Stainless Steel Drawer Slide 49
 8000 Over Travel Undermount Pantry Drawer Slide 50
 8500T Lateral File Drawer Systems 51

Overhead Door and Desk Slides 52

4461D 5/8 Extension Variable Height Keyboard Slide 53
 8150, 8157 3/4 Extension Variable Height Keyboard Slides 54
 8250 3/4 Extension Variable Height Pencil or Center Drawer Slide 55
 8050 Hinged Door Slide 56

Door Slides and Hinge Kits 57

8070, 8071, 8072 Pivot Door Slides 58
 8080, 8081, 8082 Pivot Door Slides 59
 8091, 8092 Pivot Door Slides 60
 4x4 Pocket Door Full Overlay Kit 61
 Salice Hinge Kits 62

How to Choose a Drawer Slide

Design Factors

Each drawer slide model has unique performance characteristics that are determined by the intended application for which it is designed. There are many different slides available for a variety of applications; choose the slide that best fits your application.

Length. Slide length is a key factor. Typically, the longer the slide, the less load it will carry and vice versa.

Travel. Travel is the maximum extension compared to the closed length. Most slides are either 3/4 or full travel. Special extension lengths are available with modified travel. In general, the longer the travel, the less load a slide can carry and vice versa.

- A 3/4 travel slide has extension to approximately 75% of its length.
- A full travel slide has extension approximately equal to its length.
- An over travel slide extends beyond its length.

Width. Drawer width affects the rigidity of the installation. In wide drawers, the slides will rack from side to side. Excessive racking can degrade performance and shorten slide life.

Action. The type of mechanism used to carry the load affects slide performance, motion, noise, and the “fit and feel.” KV slides use rollers, ball-bearings, friction fits, or any combination in achieving movement. In general, superior action requires more rollers or ball-bearings to support and distribute large loads.

Size. In addition to a slide’s load rating, the physical size of the application is a consideration.

Drawers having unusual width, depth, or height especially require careful consideration to determine which slide best suits the application.

Operating Clearance. Drawer slides operate within a specified clearance (the space between the drawer and the case). The clearance must be strictly held within the specified tolerances. When the clearance is too wide or too narrow, the slide will experience additional forces and stresses that will reduce its expected performance and life.

Case Goods Construction and

Materials. Slides perform better when mounted in rigidly constructed furniture. Construction with soft or thin materials often results in flexing. This causes the drawer to rack from

side to side, placing considerable stress on the slides. Do not use drawer slides as support members carrying structural loads.

Application Factors

Location of Pull. The location of the drawer handle affects slide performance. Center pull positions “are recommended because they permit a balanced pull force evenly carried by both slides. Side or edge pulls put more force directly on one slide than the other, causing the two slides to progress at different speeds. The additional force required to open and close the drawer hinders performance and shortens slide life.

Installation. Most slide designs require installation in a single position. Carefully study the application before installing the slides in different or abnormal positions.

1. **Orientation.** Slides should not be installed in an orientation other than for their intended usage. For example, a slide designed for Side-mounting may lose 75 percent or more of its load-carrying capacity if mounted flat underneath a drawer.
2. **Location.** Drawer construction, pull position, and type of load are all key considerations to determine the best location to fasten the slides.
3. **Balance.** Most slides are designed for use in pairs. For example, suspending a load from just one side (cantilevered load) causes excessive stress and may result in premature slide failure.

Fastening. For best performance, slides require proper fastening. Use the recommended fasteners in sufficient quantity to properly secure the slide. Too few fasteners can cause the slide to pull loose and cause damage. Abnormal fastening methods should be carefully evaluated, because methods such as gluing, riveting, or welding may have unanticipated effects.

Load Factors

Alignment. Slides run in a straight motion. The more precisely the slides are aligned, the less chance they will work against each other.

Load Ratings. KV designates drawer slides in “Pound Class” categories, and uses dynamic (rather than static) loading to determine load ratings. The “Pound Class” categories are used within the slide industry as general guidelines for drawer slide selection. These categories are not the same as actual load ratings. Load ratings vary based on slide length, application, and case goods construction.

The categories provide a reference point in selecting which slide may fit a particular application. The Pound Class designations are not intended as a substitute for actual product testing. Proper slide selection may be significantly different from the Pound Class designation, depending on the application or other use factors. Representative testing of the selected drawer slide in the fully configured application is the only way to assure proper performance, durability, and safety.

Static Loads. A static load is a resting load without any motion. Static load capacity is significantly higher than dynamic load capacity.

Dynamic Loads. A dynamic load is a load in motion. When a dynamic load gains momentum, it induces more stress and fatigue. Slides must withstand more forces when in motion than when still.

Dynamic loads affect the life and performance of any slide. Other load factors affecting performance are:

1. An evenly or unevenly distributed load
2. A centered or off-centered load
3. The load’s center-of-gravity relative to the slide’s centerline-of-travel
4. The number of cycles
5. The speed or frequency of cycles
6. The length of the cycle stroke
7. The percent of travel
8. The stopping force and distance

Abnormal Loads/Vibration.

Shipping, abusive loads, and impact loads—even in short duration—put large stresses on the slide and can cause immediate or premature failure. Excessive or continuous vibrations can also reduce slide performance and life.

Corrosion. Excessive humidity, salts, or other chemical agents can corrode the finish and attack metal or plastic components. The effects may be immediate, or they may develop over time.

Lubrication. Knapé & Vogt lubricates slides at the factory. However, contaminants such as dirt, filings, sawdust, paints, etc. can rapidly break down the effectiveness of the factory-applied lubricant.

Temperature. Extreme high or low temperatures can cause lubricants to thin or gel. Extreme temperatures caused by equipment such as finishing ovens can deteriorate a slide’s plastic and rubber components.

Finishing. Over-spray from stains, paints, varnishes, or other finishing agents may degrade the quality of a slide’s “fit and feel.” These types of chemical agents can also attack plastic, rubber, and metal slide components. It’s important to properly mask or otherwise protect installed slides before finishing furniture and cabinetry.

Proper slide specification and installation are keys to long and problem-free operation. To help you select the drawer slides best-suited to your specific applications, Knapé & Vogt offers a free consultation service. KV also offers a “no charge” testing service.

KV strongly recommends that manufacturers test representative samples of the complete application. Appropriate industry standards should be followed to assure proper performance, durability, and safety.

NOTE: Knapé & Vogt’s testing service does not include product cost nor freight cost to or from the KV test laboratory. Product is properly disposed of shortly after testing, unless otherwise requested.

Drawer Slides Quick Reference Guide

	Mounting Style	Load Class	Slide Type		Extension			Disconnect Type					Open/Close Features						V-Notch (Special Order)	
			Roller Bearing	Ball-Bearing	Undermount	Extension 3/4	Extension Full	1" Over Travel	No Disconnect	Friction Release	Lever Release	Lift Out	Quick Disconnect (QD RAIL)	Hold In Anti-Rebound	Hold-Out/Open	Lock-In	Lock Open	Self-Close		Push-to-Open
Light-Duty Slides																				
1175	Under	50	•			•					•									
1300	Side	75	•			•				•			•							
1805	Side	75	•			•					•		•		•					
8350	Side	75		•		•				•			•							
8355	Side	75		•		•				•			•							
8357	Side	75		•		•				•			•						•	
4400	Side	65		•			•			•			•							
4450	Side	65		•			•			•			•						•	
Medium-Duty Slides																				
8400	Side	100		•		•				•			•							
8405	Side	90		•				•		•			•							
8407	Side	100		•		•				•			•							•
8414	Side	100		•		•				•			•	•						
8417	Side	100		•		•				•			•			•				
8419	Side	90		•				•		•			•			•				
8420	Side	100		•		•				•			•							
8425	Side	90		•				•		•			•							
8400RV	Side	100		•		•				•			•							
8450FM	Side	100		•		•				•			•						•	
8455FM	Side	90		•		•				•			•						•	
MuV+	Under	75			•	•				•			•						•	
MuV+34	Under	75			•	•				•			•						•	
MuV+HD	Under	120			•	•				•			•						•	
MuV+34HD	Under	120			•	•				•			•						•	
GS2070	Under	75			•	•				•			•						•	
GS4200	Side	100		•		•				•			•							
GS4205	Side	90		•				•		•			•							
GS4260	Side	100		•		•				•			•					•		
GS4270	Side	100		•		•				•			•						•	
TT100	Side	100		•		•				•			•							
DUR4500	Side	100		•		•				•			•							

Drawer Slides Quick Reference Guide *(continued)*

Mounting Style	Load Class	Slide Type			Extension			Disconnect Type					Open/Close Features					V-Notch (Special Order)		
		Roller Bearing	Ball-Bearing	Undermount	3/4 Extension	Full Extension	1" Over Travel	Disconnect No	Friction Release	Lever Release	Lift Out	Quick Disconnect (OD RAIL)	Hold In Anti-Rebound	Hold Out / Open	Lock In	Lock Open	Self-Close		Push-to-Open	Soft-Close
Heavy-Duty Slides																				
6500	Side	125		•		•				•				•						
6505	Side	125		•			•			•				•						
8500	Side	150		•		•							•	•						
8505	Side	150		•			•						•	•						
8520	Side	175		•		•							•	•						
8525	Side	175		•			•						•	•						
8600	Side	150		•		•				•				•						
8605	Side	140		•			•			•				•						
8620	Side	150		•		•				•				•						
8625	Side	140		•			•			•				•						
8650FM	Side	150		•		•				•				•					•	
8655FM	Side	140		•			•			•				•					•	
8810	Side	200		•		•				•				•						
8815	Side	190		•			•			•				•						
8820	Side	200		•		•				•				•						
8825	Side	190		•			•			•				•						
8900	Side	150-500		•		•			•					•						
8908	Side	150-500		•		•			•						•		•			
8909	Side	150-500		•		•			•						•		•			
8910	Side	150-500		•		•			•					•						
Specialty Slides																				
6300	Side	100		•		•				•				•						
6400	Side	100		•		•				•				•						
8000	Under	130		•			•				•			•						
8500T	Side	150		•		•							•	•						
8505T	Side	150		•			•						•	•						
8520T	Side	175		•		•							•	•						
8525T	Side	175		•			•						•	•						
4461D	Under	75		•																
8150	Under	75		•		•				•				•		•				
8157	Under	75		•		•				•				•		•				
8250	Under	75		•		•				•				•						

Ball-Bearing Slides: Suggested Product Application Matrix

Part Number	Recommended Applications													Available Stock Sizes											
	Special Order Only	60"	48"	42"	40"	36"	34"	32"	30"	28"	26"	24"	22"	20"	18"	16"	15"	14"	13"	12"	10"	8"	6"		
4400																									
4450																									
6300																									
6400																									
6500																									
6505																									
8000																									
8040EZ																									
8050EZ																									
8070EZ																									
8071EZ																									
8072EZ																									
8080EZ																									
8081EZ																									
8082EZ																									
8091																									
8092																									
8150																									
8157																									
8250																									
8350																									
8355																									
8357																									
8400																									
8405																									
8407																									
8414																									
8417																									
8419																									
8420																									
8425																									

Ball-Bearing Slides: Suggested Product Application Matrix *(continued)*

Part Number	Recommended Applications													Available Stock Sizes										
	Special Order Only	60"	48"	42"	40"	36"	34"	32"	30"	28"	26"	24"	22"	20"	18"	16"	15"	14"	13"	12"	10"	8"	6"	
8400RV																								
8450FM																								
8455FM																								
8500																								
8500TQ																								
8505																								
8520																								
8525																								
8600																								
8605																								
8620																								
8625																								
8650FM																								
8655FM																								
8810																								
8815																								
8820																								
8825																								
8900																								
8908																								
8909																								
8910																								
GS4200																								
GS4205																								
GS4260																								
GS4270																								
TT100																								
DUR4500																								

Roller Bearing Slides: Suggested Product Application Matrix

Part Number	Recommended Applications										Available Stock Sizes																	
	Kitchen Cabinets	Bathroom Vanities	Architectural Woodwork	Residential Furniture	Institutional Furniture	Office Furniture	Store Fixtures	Work Benches	Fine Cabinetry	Special Order Only	12"	14"	16"	18"	20"	22"	22-5/8"	24"	26"	28"	300mm	350mm	400mm	450mm	500mm	550mm	600mm	650mm
1175	•	•											•	•	•	•	•											
1300	•	•	•				•				•	•	•	•	•	•		•	•									
1805	•	•	•	•																	•	•	•	•	•	•	•	

Undermount Drawer Slide Size Guide

Part Number	Available Stock Sizes												
	9"	10"	12"	14"	15"	16"	18"	20"	21"	22"	24"	27"	30"
MuV+	•	•	•	•	•	•	•	•	•	•			
MuV+34	•	•	•	•	•	•	•	•	•	•			
MuV+HD							•	•	•	•	•	•	•
MuV+34HD							•	•	•	•	•	•	•
GS2070	•		•		•		•		•				



Light-Duty Drawer Slides

1175 3/4 Extension Center Under Drawer Slide	10
1300 3/4 Extension Drawer Slides	14
1805 Epoxy-Coated Drawer Slide	15
8350 3/4 Extension Drawer Slides	17
4400 Low Profile Full Extension Drawer Slide	18
4450 Low Profile Full Extension Soft-Close Drawer Slide	20

Model	Mounting Style	Load Class	Type	Extension	Disconnect Type				Open/Close Features				V-Notch Special Order		
					No Disconnect	Friction Release	Lever Release	Lift Out	Quick Disconnect	Hold In Anti-Rebound	Hold-Out / Open	Lock Open		Self-Close	Push-to-Open
1175	Under	50	•	•			•								
1300	Side	75	•	•			•			•					
1805	Side	75	•	•			•			•	•		•		
8350	Side	75	•	•			•			•					
4400	Side	65	•	•			•			•					
4450	Side	65	•	•			•			•					•

1175 3/4 Extension Center Under Drawer Slide



Features

- Mounts with staples or screws
- Drawers lift out for easy removal
- Recommended maximum drawer width 18"

Mounting: Under-drawer

Action: Rollers


Load Rating: 50 lb. class

Height: 1" [25.4mm]

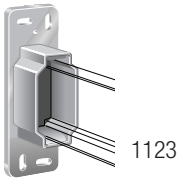
Finish: Zinc (ZC)

Configurations

Poly (P)	1 slide per bag with screws; 10 slides per carton
1175 Zinc (ZC) Finish	
Size	Poly (P)
22-5/8"	1175P ZC 22-5/8

Recommended Fasteners		KV Part	Finish	Qty
	#6 x 1/2" Phillips Pan Head	200106-5	Zinc (ZC)	1000

Mounting Brackets



Product	Pack
1123 PLAS	500 per carton

1300 3/4 Extension Drawer Slides



Features

- Positive stop lever
- Stay close design
- Recommended maximum drawer width 18"
- 3/4 extension slide

Mounting: Side

Action: Ball-bearing rollers

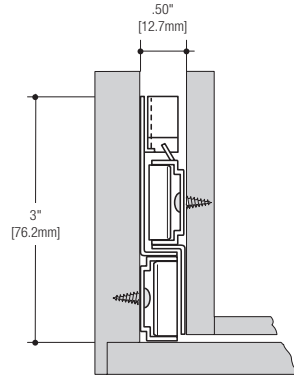
Load Rating: 75 lb. class

Height: 3" [76.2mm]

Clearance: .50" + .03" - 0" on each side

Finish: Zinc (ZC)


Profile:



1300

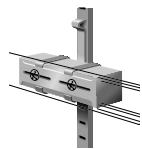
Configurations

Bulk (B)	10 pairs per carton without screws	
Poly (P)	1 pair per bag with screws; 10 pairs per carton	
1300 Zinc (ZC) Finish		
12"	–	1300P ZC 12
14"	1300B ZC 14	1300P ZC 14
16"	1300B ZC 16	1300P ZC 16
18"	1300B ZC 18	1300P ZC 18
20"	1300B ZC 20	1300P ZC 20
22"	1300B ZC 22	1300P ZC 22
24"	1300B ZC 24	1300P ZC 24
26"	1300B ZC 26	1300P ZC 26
28"	–	1300P ZC 28

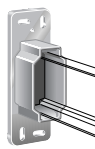
Recommended Fasteners		KV Part	Finish	Qty
	#7 x 1/2" Phillips Pan Head	8500-93	Zinc (ZC)	1000
		8500-93 EB	Ebony Black (EB)	1000

Non-stock item – minimum order quantities and additional lead time may apply.

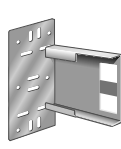
Mounting Brackets



1303
Vertically Adjustable
Side-Mounting Bracket



1123 PLAS
Plastic Rear
Mounting Bracket



1304
Metal Rear
Mounting Bracket

Product	Pack
1303	100 per carton
1123 PLAS	500 per carton
1304	100 per carton

1805 Epoxy-Coated Drawer Slide



Features

- 32mm mounting hole pattern
- Lift out disconnect
- Self-close design
- Recommended maximum drawer width 18"

Mounting: Side

Action: Rollers

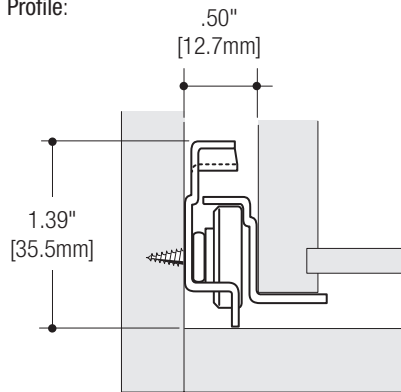
Load Rating: 75 lb. class

Height: 1.39" [35.5mm]

Clearance: .50" + .03" - 0" on each side


Finish: White (WH)

Profile:

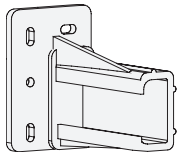


Configurations

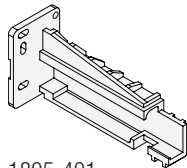
Hefty (H)	1 pair per bag with screws; 20 pairs per carton		
Quantity (Q)	100 pairs per carton without screws; multiple cartons		
Taped Pair (T)	1 pair taped together without screws; 20 pairs per carton		
1805 White (WH) Finish			
300mm	1805H WH 300	1805Q WH 300	1805T WH 300
350mm	1805H WH 350	1805Q WH 350	1805T WH 350
400mm	1805H WH 400	1805Q WH 400	1805T WH 400
450mm	1805H WH 450	1805Q WH 450	1805T WH 450
500mm	1805H WH 500	1805Q WH 500	1805T WH 500
550mm	1805H WH 550	1805Q WH 550	1805T WH 550
600mm	1805H WH 600	1805Q WH 600	1805T WH 600

Recommended Fasteners		KV Part	Finish	Qty
	#6 x 7/16" Phillips Flathead	1284-80	Zinc (ZC)	1000

Mounting Brackets



1805-101
Left and right
handed sockets
(2-3/8" socket)



1805-401
Left and right
handed sockets
(4" socket)

Product	Pack	Handed
1805-101L BP	50 per carton	Left
1805-101R BP	50 per carton	Right
1805-401L BP	50 per carton	Left
1805-401R BP	50 per carton	Right

8350 3/4 Extension Drawer Slides



Features

- 32mm mounting hole pattern
- Lever disconnect permits easy drawer removal
- Non-handed design
- Recommended maximum drawer width 24"
- 3/4 extension drawer slide

Mounting: Side

Action: Ball-bearing movement

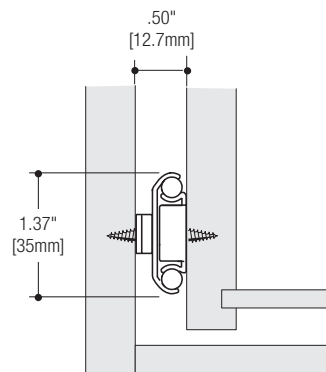
Load Rating: 75 lb. class

Height: 1.37" [35mm]

Clearance: .50" + .03" - 0" on each side

Finish: Anochrome (ANO)


Profile:



Configurations

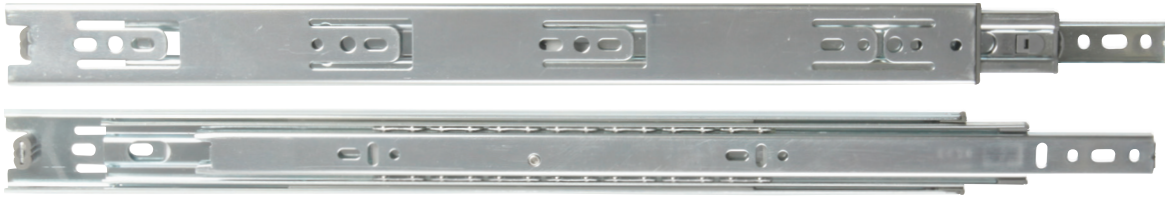


Bulk (B)	10 pairs per carton without screws
8350 Anochrome (ANO) Finish	
Size	Bulk (B)
12"	8350B 12
14"	8350B 14
16"	8350B 16
18"	8350B 18
20"	8350B 20
22"	8350B 22
8355 Anochrome (ANO) Finish	
Size	Bulk (B)
12"	8355B 12
14"	8355B 14
16"	8355B 16
18"	8355B 18

Recommended Fasteners	KV Part	Finish	Qty
 #7 x 1/2" Phillips Pan Head	8500-93	Zinc (ZC)	1000

Non-stock item – minimum order quantities and additional lead time may apply.

4400 Low Profile Full Extension Drawer Slide



Features

- Lever release
- Hold-in detent
- Recommended maximum drawer width 24"

Mounting: Side

Action: Telescopic movement on ball-bearings

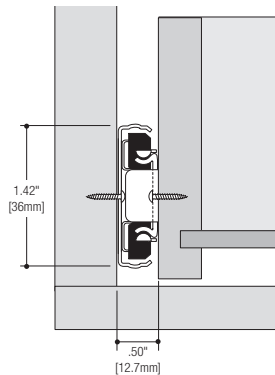
Load Rating: 65 lb. class

Height: 1.42" [36mm]

Clearance: .50" + .03" - 0" on each side

Finish: Zinc (ZC)

Profile:



Configurations



Bulk (B)	10 pairs per carton without screws
4400 Zinc (ZC) Finish	
Size	Bulk (B)
10" (250mm)	4400B 10
12" (300mm)	4400B 12
14" (350mm)	4400B 14
16" (400mm)	4400B 16
18" (450mm)	4400B 18
20" (500mm)	4400B 20
22" (550mm)	4400B 22
24" (600mm)	4400B 24
26" (650mm)	4400B 26
28" (700mm)	4400B 28

Recommended Fasteners	
	#6 x 1/2" Truss Head

Mounting Brackets



4101B
Rear Mounting Bracket

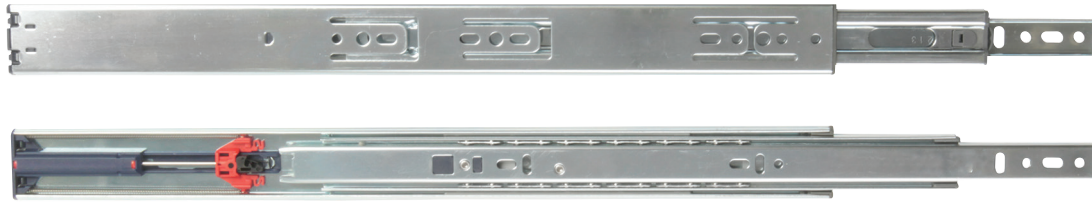


4104B
Front Face Frame Bracket

- Non-handed snap-on design

Product	Pack
4101B	20 per carton
4104B	20 per carton

4450 Low Profile Full Extension Soft-Close Drawer Slide



Features

- Lever release
- Soft-close module
- Recommended maximum drawer width 24"

Mounting: Side

Action: Soft-close

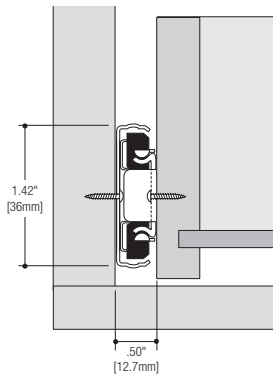
Load Rating: 65 lb. class

Height: 1.42" [36mm]

Clearance: .50" + .03" - 0" on each side

Finish: Zinc (ZC)

Profile:



Configurations



Bulk (B)	10 pairs per carton without screws
4450 Zinc (ZC) Finish	
Size	Bulk (B)
10" (250mm)	4450B 10
12" (300mm)	4450B 12
14" (350mm)	4450B 14
16" (400mm)	4450B 16
18" (450mm)	4450B 18
20" (500mm)	4450B 20
22" (550mm)	4450B 22
24" (600mm)	4450B 24

Recommended Fasteners



#6 x 1/2" Truss Head

Less than Full Extension: 10" = 7.8" Extension

Mounting Brackets



4101B
Rear Mounting Bracket



4104B
Front Face Frame Bracket

- Non-handed snap-on design

Product	Pack
4101B	20 per carton
4104B	20 per carton

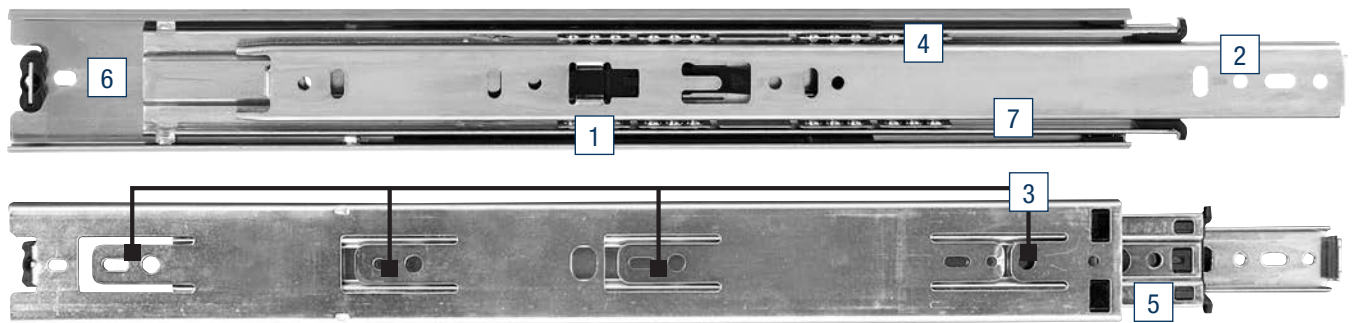


Medium-Duty Drawer Slides

- 8400 Series Overview 17
- 8400 Full Extension Box or File Drawer Slide 18
- 8405 Over Travel Box or File Drawer Slide 19
- 8407 Full Extension Box or File Drawer Slide with Shelf Tabs 20
- 8414 Full Extension Hold-Out Drawer Slide 21
- 8417, 8419, 8400RV Self-Closing Drawer Slides 22
- 8420, 8425 Metal Cabinet and Drawer Slide 23
- 8450FM, 8455FM Soft-Close Drawer Slides 24
- KV GSlide GS4200, GS4205 Drawer Slide 25
- KV GSlide GS4260 Push-Open Drawer Slide 26
- KV GSlide GS4270 Soft-Close Drawer Slide 27
- KV Tru-Trac TT100 Full Extension Ball-Bearing Drawer Slide 28
- KV DuriSlide 4500 Ball-Bearing Drawer Slide 29

	Mounting Style	Load Class	Roller Bearing	Ball-Bearing	3/4 Extension	Full Extension	1" Over Travel	Disconnect Type			Open/Close Features							
								No Disconnect	Friction Release	Lever Release	Lift Out	Quick Disconnect	Hold In Anti-Rebound	Hold-Out / Open	Lock Open	Self-Close	Push-to-Open	Soft-Close
8400	Side	100	•	•	•					•								
8405	Side	100	•			•				•								
8407	Side	100	•	•	•					•								•
8414	Side	100	•	•	•					•		•						
8417	Side	100	•	•	•					•				•				
8419	Side	90	•		•					•				•				
8420	Side	100	•	•	•					•				•				
8425	Side	90	•		•					•				•				
8400RV	Side	100	•	•	•					•				•				
8450FM	Side	100	•	•	•					•				•			•	
8455FM	Side	90	•		•					•				•			•	
GS4200	Side	100	•	•	•					•				•				
GS4205	Side	90	•	•	•					•				•				
GS4260	Side	100	•	•	•					•						•		
GS4270	Side	100	•	•	•					•								•
TT100	Side	100	•	•	•					•				•				
DUR4500	Side	100	•	•	•					•				•				

8400 Series Drawer Slides



1. Push-in button for drawer disconnect is ergonomically designed for easy drawer removal.
2. Traditional and 32mm hole pattern supports industry standards for safely fastening slide in place.
3. Reversed flex tabs allow improved slide performance with side clearance tolerance adjustments.
4. Rolled ball-bearing raceway allows lateral loads to be carried by ball-bearings and not transferred to bushings sliding on metal.
5. Mounting hole is provided for face frame applications to eliminate the need for a separate bracket.
6. Access holes allow for drawer adjustments at full extension without removing drawer.
7. Lacquer finish provides superior corrosion resistance.

Self-Close Series Drawer Slides



Self-close slides use spring technology to close a drawer.

Models and Descriptions:

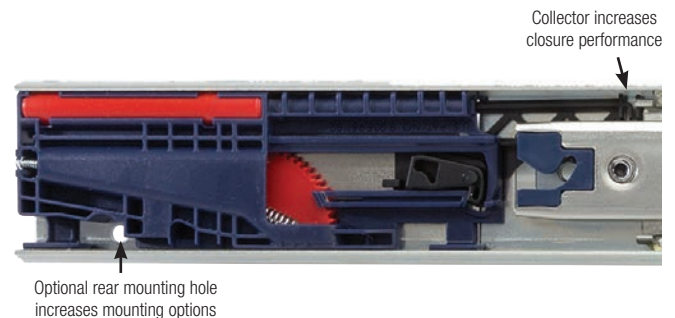
- 8417: Self-closing full extension
- 8419: Self-closing over travel drawer slide
- 8400RV: Heavy-duty self-closing full extension drawer slide

Features and Benefits:

- Self-close feature assist with the closing of a drawer and is fully integrated into the slide
- RV version has stronger springs to ensure closure in mobile applications

8450FM Soft-Close Drawer Slide

The new KV8450FM Series is a step forward in side-mounted ball-bearing drawer slides. The KV8450FM series incorporates state-of-the-art soft-close technology. The fully integrated soft-close module brings drawer box to a smooth, quiet and secure closure.



8450FM Series Features and Benefits

- Patented KV design incorporates dampening cylinder with balanced spring technology
- Soft-close module is fully integrated into an KV8400 style slide with same side clearance allowing cabinet makers to migrate directly to KV8450FM series products with no set up changes
- Exceeds KCMA, BHMA and BIFMA standards of performance: over 50,000 cycles including the soft-close module

8400 Full Extension Box or File Drawer Slide



Features

- 32mm hole pattern with direct access mounting
- Lever disconnect for easy drawer removal
- Non-handed design
- Recommended maximum drawer width 24"

Mounting: Side

Action: Telescopic movement on ball-bearings

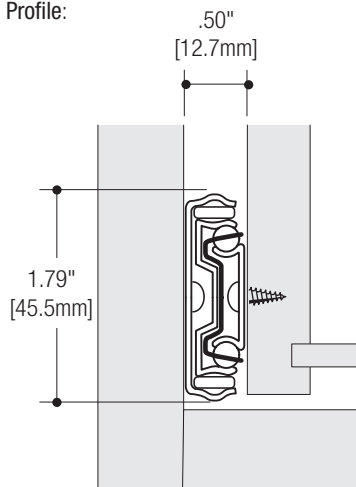
Load Rating: 100 lb. class

Height: 1.79" [45.5mm]

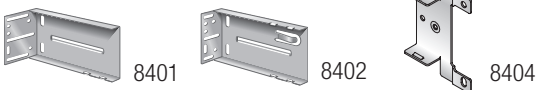
Clearance: .50" + .03" - 0" on each side

Finish: Anochrome (ANO), Ebony Black (EB)

Profile:



Mounting Brackets




Product	Front or Rear	Finish	Pack
8401	Rear	Zinc (ZC)	20 brackets/carton
8402	Rear	Zinc (ZC)	20 brackets/carton
8402BBL	Rear	Zinc (ZC)	400 brackets/carton
8402WP	Rear	Zinc (ZC)	20 brackets/warehouse pack
8404	Front	Zinc (ZC)	20 brackets/carton
8404B	Front	Zinc (ZC)	400 brackets/carton
8404 EB	Front	Ebony Black (EB)	20 brackets/carton
8404BBL	Front	Zinc (ZC)	400 brackets/carton
8404B KIT	Both	Zinc (ZC)	2 [8403] + 2 [8404] + screws

Configurations



Bulk (B)	10 pairs per carton without screws		
Poly (P)	1 pair per bag with screws; 10 pairs per carton		
Quantity (Q)	50 pairs without screws; multiple cartons		
8400 Anochrome (ANO) Finish			
Size	Bulk (B)	Poly (P)	Quantity (Q)
8"	8400B 8	8400P 8	8400Q 8
10"	8400B 10	8400P 10	8400Q 10
12"	8400B 12	8400P 12	8400Q 12
14"	8400B 14	8400P 14	8400Q 14
16"	8400B 16	8400P 16	8400Q 16
18"	8400B 18	8400P 18	8400Q 18
20"	8400B 20	8400P 20	8400Q 20
22"	8400B 22	8400P 22	8400Q 22
24"	8400B 24	8400P 24	8400Q 24
26"	8400B 26	8400P 26	8400Q 26
28"	8400B 28	8400P 28	8400Q 28
8400 Ebony Black (EB) Finish			
8"	8400B EB 8	8400P EB 8	8400Q EB 8
10"	8400B EB 10	8400P EB 10	8400Q EB 10
12"	8400B EB 12	8400P EB 12	8400Q EB 12
14"	8400B EB 14	8400P EB 14	8400Q EB 14
16"	8400B EB 16	8400P EB 16	8400Q EB 16
18"	8400B EB 18	8400P EB 18	8400Q EB 18
20"	8400B EB 20	8400P EB 20	8400Q EB 20
22"	8400B EB 22	8400P EB 22	8400Q EB 22
24"	8400B EB 24	8400P EB 24	8400Q EB 24
26"	8400B EB 26	8400P EB 26	8400Q EB 26
28"	8400B EB 28	8400P EB 28	8400Q EB 28

Recommended Fasteners	KV Part	Finish	Qty	
	#7 x 1/2" Phillips Pan Head	8500-93	Zinc (ZC)	1000
		8500-93 EB	Ebony Black (EB)	1000

☐ Non-stock item – minimum order quantities and additional lead time may apply.

8405 Over Travel Box or File Drawer Slide



Features

- 1" over travel for full access to drawer contents
- Lever disconnect for easy drawer removal
- Non-handed design
- Recommended maximum drawer width 24"

Mounting: Side

Action: Telescopic action on ball-bearings

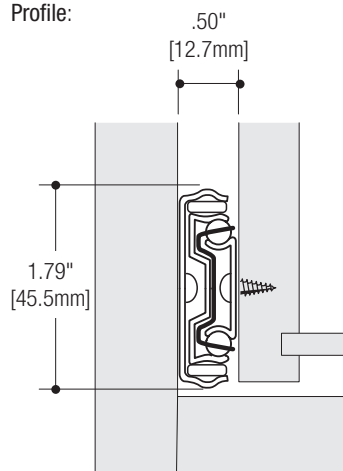
Load Rating: 100 lb. class

Height: 1.79" [45.5mm]

Clearance: .50" + .03" - 0" on each side

Finish: Anochrome (ANO), Ebony Black (EB)

Profile:



Mounting Brackets



Product	Front or Rear	Finish	Pack
8401	Rear	Zinc (ZC)	20 brackets/carton
8402	Rear	Zinc (ZC)	20 brackets/carton
8402BBL	Rear	Zinc (ZC)	400 brackets/carton
8402WP	Rear	Zinc (ZC)	20 brackets/warehouse pack
8404	Front	Zinc (ZC)	20 brackets/carton
8404B	Front	Zinc (ZC)	400 brackets/carton
8404 EB	Front	Ebony Black (EB)	20 brackets/carton
8404BBL	Front	Zinc (ZC)	400 brackets/carton
8404B KIT	Both	Zinc (ZC)	2 [8403] + 2 [8404] + screws

Configurations



Bulk (B)	10 pairs per carton without screws
Poly (P)	1 pair per bag with screws; 10 pairs per carton
Quantity (Q)	50 pairs without screws; multiple cartons

8405 Anochrome (ANO) Finish

Size	Bulk (B)	Poly (P)	Quantity (Q)
10"	8405B 10	8405P 10	8405Q 10
12"	8405B 12	8405P 12	8405Q 12
14"	8405B 14	8405P 14	8405Q 14
16"	8405B 16	8405P 16	8405Q 16
18"	8405B 18	8405P 18	8405Q 18
20"	8405B 20	8405P 20	8405Q 20
22"	8405B 22	8405P 22	8405Q 22
24"	8405B 24	8405P 24	8405Q 24
26"	8405B 26	8405P 26	8405Q 26
28"	8405B 28	8405P 28	8405Q 28

8405 Ebony Black (EB) Finish

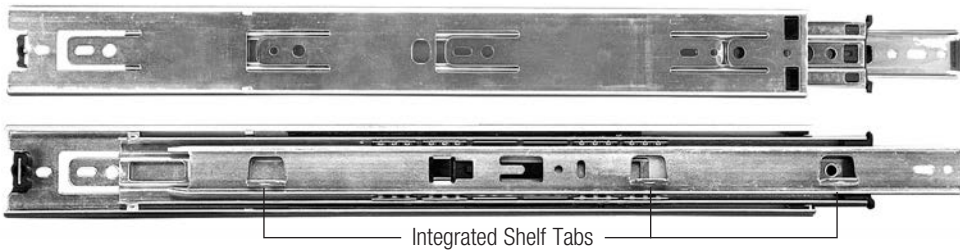
10"	8405B EB 10	8405P EB 10	8405Q EB 10
12"	8405B EB 12	8405P EB 12	8405Q EB 12
14"	8405B EB 14	8405P EB 14	8405Q EB 14
16"	8405B EB 16	8405P EB 16	8405Q EB 16
18"	8405B EB 18	8405P EB 18	8405Q EB 18
20"	8405B EB 20	8405P EB 20	8405Q EB 20
22"	8405B EB 22	8405P EB 22	8405Q EB 22
24"	8405B EB 24	8405P EB 24	8405Q EB 24
26"	8405B EB 26	8405P EB 26	8405Q EB 26
28"	8405B EB 28	8405P EB 28	8405Q EB 28

Recommended Fasteners

	KV Part	Finish	Qty
	8500-93	Zinc (ZC)	1000
	8500-93 EB	Ebony Black (EB)	1000

☐ Non-stock item – minimum order quantities and additional lead time may apply.

8407 Full Extension Box or File Drawer Slide with Shelf Tabs



Features

- 32mm hole pattern with direct access mounting
- Lever disconnect for easy drawer removal
- Integrated shelf tabs
- Recommended maximum drawer width 24"

Mounting: Side

Action: Telescopic movement on ball-bearings

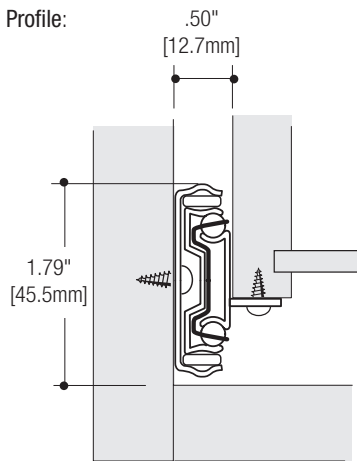
Load Rating: 100 lb. class

Height: 1.79" [45.5mm]

Clearance: .50" + .03" - 0" on each side


Finish: Anochrome (ANO)

Profile:



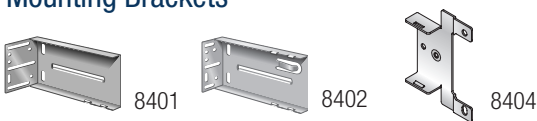
Configurations

Bulk (B)	10 pairs per carton without screws	
Poly (P)	1 pair per bag with screws; 10 pairs per carton	
8407 Anochrome (ANO) Finish		
Size	Bulk (B)	Poly (P)
10"	8407B 10	–
12"	8407B 12	–
14"	8407B 14	8407P 14
16"	8407B 16	8407P 16
18"	8407B 18	8407P 18
20"	8407B 20	8407P 20
22"	8407B 22	8407P 22
24"	8407B 24	8407P 24
26"	8407B 26	–
28"	8407B 28	–

Recommended Fasteners		KV Part	Finish	Qty
	#7 x 1/2" Phillips Pan Head	8500-93	Zinc (ZC)	1000

Non-stock item – minimum order quantities and additional lead time may apply.

Mounting Brackets



Product	Front or Rear	Finish	Pack
8401	Rear	Zinc (ZC)	20 brackets/carton
8402	Rear	Zinc (ZC)	20 brackets/carton
8402BBL	Rear	Zinc (ZC)	400 brackets/carton
8402WP	Rear	Zinc (ZC)	20 brackets/warehouse pack
8404	Front	Zinc (ZC)	20 brackets/carton
8404B	Front	Zinc (ZC)	400 brackets/carton
8404 EB	Front	Ebony Black (EB)	20 brackets/carton
8404BBL	Front	Zinc (ZC)	400 brackets/carton
8404B KIT	Both	Zinc (ZC)	2 [8403] + 2 [8404] + screws

8414 Full Extension Hold-Out Precision Drawer Slide



Features

- 32mm hole pattern with direct access mounting
- Lever disconnect for easy drawer removal
- Hold-out feature holds slide in place when drawer is open
- Recommended maximum drawer width 24"

Mounting: Side

Action: Telescopic movement on ball-bearings

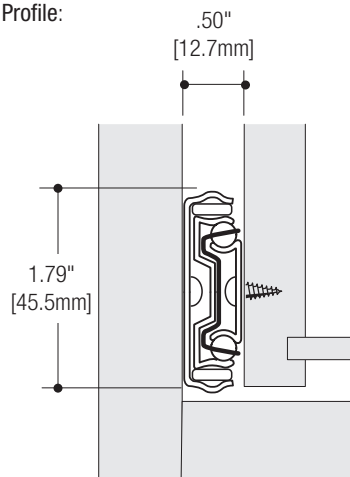
Load Rating: 100 lb. class

Height: 1.79" [45.5mm]

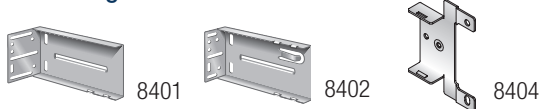
Clearance: .50" + .03" - 0" on each side

Finish: Anochrome (ANO)

Profile:



Mounting Brackets




Product	Front or Rear	Finish	Pack
8401	Rear	Zinc (ZC)	20 brackets/carton
8402	Rear	Zinc (ZC)	20 brackets/carton
8402BBL	Rear	Zinc (ZC)	400 brackets/carton
8402WP	Rear	Zinc (ZC)	20 brackets/warehouse pack
8404	Front	Zinc (ZC)	20 brackets/carton
8404B	Front	Zinc (ZC)	400 brackets/carton
8404 EB	Front	Ebony Black (EB)	20 brackets/carton
8404BBL	Front	Zinc (ZC)	400 brackets/carton
8404B KIT	Both	Zinc (ZC)	2 [8403] + 2 [8404] + screws

Configurations



Bulk (B)	10 pairs per carton without screws	
Poly (P)	1 pair per bag with screws; 10 pairs per carton	
8414 Anochrome (ANO) Finish		
Size	Bulk (B)	Poly (P)
10"	8414B 10	–
12"	8414B 12	8414P 12
14"	8414B 14	8414P 14
16"	8414B 16	8414P 16
18"	8414B 18	8414P 18
20"	8414B 20	8414P 20
22"	8414B 22	8414P 22
24"	8414B 24	8414P 24

Recommended Fasteners	KV Part	Finish	Qty
 #7 x 1/2" Phillips Pan Head	8500-93	Zinc (ZC)	1000

Non-stock item – minimum order quantities and additional lead time may apply.

8417, 8419, 8400RV Self-Closing Drawer Slides



Features

- 32mm hole pattern with direct access mounting
- Self-closing feature
- 8400RV features a stronger spring for mobile applications
- Recommended maximum drawer width 24"

Extension: 8417: Self-closing full extension drawer slide
 8419: Self-closing 1" over travel drawer slide
 8400RV: Heavy-Duty self-closing full extension drawer slide

Mounting: Side

Action: Telescopic movement on ball-bearings

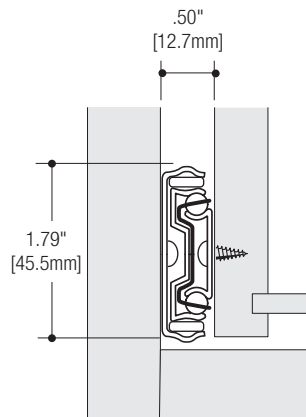
Load Rating: 100 lb. class (8417/8400RV); 90 lb. class (8419)

Height: 1.79" [45.5mm]

Clearance: .50" + .03" - 0" on each side

Finish: Anochrome (ANO)

Profile:

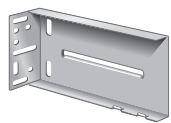


Configurations

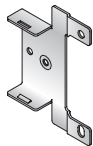


Bulk (B)	10 pairs per carton without screws	
Poly (P)	1 pair per bag with screws; 10 pairs per carton	
8417 Anochrome (ANO) Finish		
Size	Bulk (B)	Poly (P)
12"	8417B 12	8417P 12
14"	8417B 14	8417P 14
16"	8417B 16	8417P 16
18"	8417B 18	8417P 18
20"	8417B 20	8417P 20
22"	8417B 22	8417P 22
24"	8417B 24	8417P 24
26"	8417B 26	8417P 26
8419 Anochrome (ANO) Finish		
14"	8419B 14	8419P 14
16"	8419B 16	8419P 16
18"	8419B 18	8419P 18
20"	8419B 20	8419P 20
22"	8419B 22	8419P 22
24"	8419B 24	8419P 24
26"	8419B 26	8419P 26
8400RV Anochrome (ANO) Finish		
10"	8400BRV 10	—
12"	8400BRV 12	—
14"	8400BRV 14	—
16"	8400BRV 16	—
18"	8400BRV 18	—
20"	8400BRV 20	—
22"	8400BRV 22	—
24"	8400BRV 24	—
26"	8400BRV 26	—
28"	8400BRV 28	—

Mounting Brackets



8403



8404

Product	Front or Rear	Finish	Pack
8403	Rear	Zinc (ZC)	20 brackets/carton
8403BBL	Rear	Zinc (ZC)	400 brackets/carton
8404	Front	Zinc (ZC)	20 brackets/carton
8404B	Front	Zinc (ZC)	400 brackets/carton
8404 EB	Front	Ebony Black (EB)	20 brackets/carton
8404BBL	Front	Zinc (ZC)	400 brackets/carton
8404B KIT	Both	Zinc (ZC)	2 [8403] + 2 [8404] + screws

■ Non-stock item – minimum order quantities and additional lead time may apply.

8420, 8425 Metal Cabinet and Drawer Slide



Features

- Bayonet and Belt Loop Mount
- Lever disconnect for easy drawer removal
- Recommended maximum drawer width 24"

Extension: 8420: Full Extension

8425: 1" Over Travel

Mounting: Side (Bayonet and Belt Loop)

Action: Telescopic action on ball-bearings

Load Rating: 8420: 100 lb. class

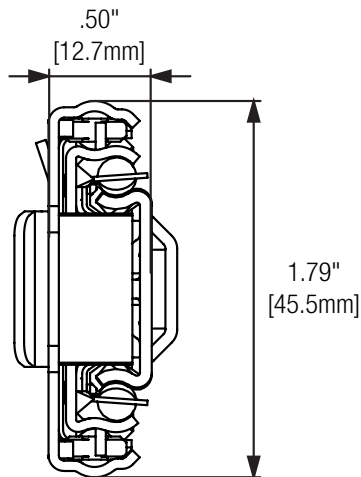
8425: 90 lb. class

Height: 1.79" [45.5mm]

Clearance: .50" + .03" - 0" on each side

Finish: Anochrome (ANO), Ebony Black (EB)

Profile:



Configurations

Quantity (Q)	20 pairs without screws; multiple cartons
8420 Anochrome (ANO) Finish	
Size	Quantity (Q)
14"	8420Q 14
16"	8420Q 16
18"	8420Q 18
20"	8420Q 20
22"	8420Q 22
24"	8420Q 24
26"	8420Q 26
28"	8420Q 28
8420 Ebony Black (EB) Finish	
14"	8420Q EB 14
16"	8420Q EB 16
18"	8420Q EB 18
20"	8420Q EB 20
22"	8420Q EB 22
24"	8420Q EB 24
26"	8420Q EB 26
28"	8420Q EB 28
8425 Anochrome (ANO) Finish	
Size	Quantity (Q)
14"	8425Q 14
16"	8425Q 16
18"	8425Q 18
20"	8425Q 20
22"	8425Q 22
24"	8425Q 24
26"	8425Q 26
28"	8425Q 28
8425 Ebony Black (EB) Finish	
14"	8425Q EB 14
16"	8425Q EB 16
18"	8425Q EB 18
20"	8425Q EB 20
22"	8425Q EB 22
24"	8425Q EB 24
26"	8425Q EB 26
28"	8425Q EB 28

☐ Non-stock item – minimum order quantities and additional lead time may apply.

8450FM, 8455FM Soft-Close Drawer Slide



Features

- Patented Force Management™ (FM) soft-close technology
- 32mm hole pattern with direct access mounting
- Lever disconnect for easy drawer removal
- Non-handed design
- Recommended maximum drawer width 24"

Extension: 8450FM: Full extension
8455FM: 1" Over travel

Action: Telescopic movement on ball-bearings

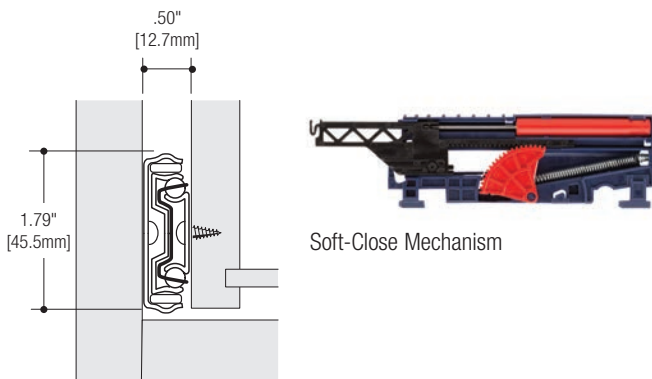
Load Rating: 8450FM: 100 lb. class
8455FM: 90 lb. class

Height: 1.79" [45.5mm]

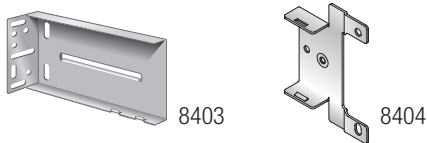
Clearance: .50" + .03" - 0" on each side

Finish: Anochrome (ANO), Ebony Black (EB)

Profile:



Mounting Brackets



Product	Front or Rear	Finish	Pack
8403	Rear	Zinc (ZC)	20 brackets/carton
8403BBL	Rear	Zinc (ZC)	400 brackets/carton
8404	Front	Zinc (ZC)	20 brackets/carton
8404B	Front	Zinc (ZC)	400 brackets/carton
8404 EB	Front	Ebony Black (EB)	20 brackets/carton
8404BBL	Front	Zinc (ZC)	400 brackets/carton
8404B KIT	Both	Zinc (ZC)	2 [8403] + 2 [8404] + screws

Configurations



Bulk (B)	10 pairs per carton without screws	
Poly (P)	1 pair per bag with screws; 10 pairs per carton	
8450FM Anochrome (ANO) Finish		
Size	Bulk (B)	Poly (P)
12"	8450FMB 12	8450FMP 12
14"	8450FMB 14	8450FMP 14
16"	8450FMB 16	8450FMP 16
18"	8450FMB 18	8450FMP 18
20"	8450FMB 20	8450FMP 20
22"	8450FMB 22	8450FMP 22
24"	8450FMB 24	8450FMP 24
26"	8450FMB 26	8450FMP 26
28"	8450FMB 28	8450FMP 28
8450FM Ebony Black (EB) Finish		
12"	8450FMB EB 12	—
14"	8450FMB EB 14	—
16"	8450FMB EB 16	—
18"	8450FMB EB 18	—
20"	8450FMB EB 20	—
22"	8450FMB EB 22	—
24"	8450FMB EB 24	—
26"	8450FMB EB 26	—
28"	8450FMB EB 28	—
8455FM Anochrome (ANO) Finish		
16"	8455FMB 16	8455FMP 16
18"	8455FMB 18	8455FMP 18
20"	8455FMB 20	8455FMP 20
22"	8455FMB 22	8455FMP 22
24"	8455FMB 24	8455FMP 24
26"	8455FMB 26	8455FMP 26
28"	8455FMB 28	8455FMP 28
8455FM Ebony Black (EB) Finish		
16"	8455FMB EB 16	—
18"	8455FMB EB 18	—
20"	8455FMB EB 20	—
22"	8455FMB EB 22	—
24"	8455FMB EB 24	—
26"	8455FMB EB 26	—
28"	8455FMB EB 28	—

Recommended Fasteners		KV Part	Finish	Qty
	#7 x 1/2" Phillips Pan Head	8500-93	Zinc (ZC)	1000
		8500-93 EB	Ebony Black (EB)	1000

Less than Full Extension: 12" = 10.2" Extension

□ Non-stock item – minimum order quantities and additional lead time may apply.

KV GSlide® GS4200, GS4205 Drawer Slide



Features

- 32mm hole pattern
- Lever disconnect for easy drawer removal
- Hold-in detent
- Non-handed design
- Recommended maximum drawer width 24"

Mounting: Side

Action: Telescopic movement on ball-bearings

Load Rating: GS4200: 100 lb. class

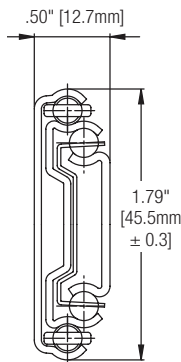
GS4205: 90 lb. class

Height: 1.79" [45.5mm]

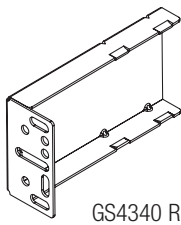
Clearance: .50" + .03" - 0" on each side

Finish: Zinc (ZC)

Profile:




Mounting Brackets



Product	Front or Rear	Finish	Pack
GS4340 RB	Rear	Zinc (ZC)	200

Configurations

Bulk (B)	10 Pair and 1 set of instructions per box without screws
GS4200 Zinc (ZC) Finish	
Size	Bulk (B)
250mm	GS4200 10
300mm	GS4200 12
350mm	GS4200 14
400mm	GS4200 16
450mm	GS4200 18
500mm	GS4200 20
550mm	GS4200 22
600mm	GS4200 24
650mm	GS4200 26
700mm	GS4200 28
GS4205 Zinc (ZC) Finish	
Size	Bulk (B)
250mm	GS4205 10
300mm	GS4205 12
350mm	GS4205 14
400mm	GS4205 16
450mm	GS4205 18
500mm	GS4205 20
550mm	GS4205 22
600mm	GS4205 24
650mm	GS4205 26
700mm	GS4205 28

Recommended Fasteners	KV Part	Finish	Qty
 #7 x 1/2" Phillips Pan Head	8500-93	Zinc (ZC)	1000

KV GSlide® GS4260 Push-Open Drawer Slide



Features

- Push-open feature holds a drawer or tray in the closed position until activated by a slight push
- 32mm hole pattern
- Lever disconnect for easy drawer removal
- Non-handed design
- Recommended maximum drawer width 24"

Mounting: Side

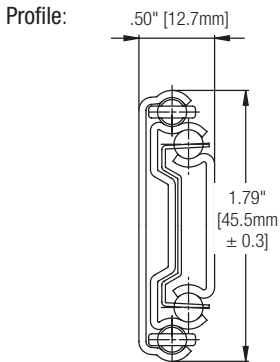
Action: Telescopic movement on ball-bearings

Load Rating: 100 lb. class

Height: 1.79" [45.5mm]


Clearance: .50" + .03" - 0" on each side

Finish: Zinc (ZC)

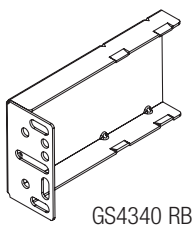


Configurations

Bulk (B)	10 Pair and 1 set of instructions per box without screws
GS4260 Zinc (ZC) Finish	
Size	Bulk (B)
250mm	GS4260 10
300mm	GS4260 12
350mm	GS4260 14
400mm	GS4260 16
450mm	GS4260 18
500mm	GS4260 20
550mm	GS4260 22
600mm	GS4260 24
650mm	GS4260 26
700mm	GS4260 28

Recommended Fasteners		KV Part	Finish	Qty
	#7 x 1/2" Phillips Pan Head	8500-93	Zinc (ZC)	1000

Mounting Brackets



Product	Front or Rear	Finish	Pack
GS4340 RB	Rear	Zinc (ZC)	200

KV GSlide® GS4270 Soft-Close Drawer Slide



Features

- Soft-close module
- 32mm hole pattern
- Lever disconnect for easy drawer removal
- Non-handed design
- Recommended maximum drawer width 24"

Mounting: Side

Action: Telescopic movement on ball-bearings

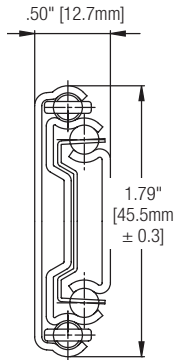
Load Rating: 100 lb. class

Height: 1.79" [45.5mm]

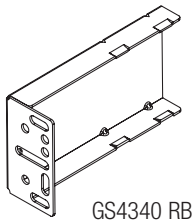
Clearance: .50" + .03" - 0" on each side

Finish: Zinc (ZC)

Profile:




Mounting Brackets



Product	Front or Rear	Finish	Pack
GS4340 RB	Rear	Zinc (ZC)	200

Configurations

Bulk (B)	10 Pair and 1 set of instructions per box without screws
GS4270 Zinc (ZC) Finish	
Size	Bulk (B)
300mm	GS4270 12
350mm	GS4270 14
400mm	GS4270 16
450mm	GS4270 18
500mm	GS4270 20
550mm	GS4270 22
600mm	GS4270 24
650mm	GS4270 26
700mm	GS4270 28

Recommended Fasteners		KV Part	Finish	Qty
	#7 x 1/2" Phillips Pan Head	8500-93	Zinc (ZC)	1000

Less than Full Extension: 12" = 8.4" Extension; 14" = 11.9" Extension

KV Tru-Trac® TT100 Full Extension Ball-Bearing Drawer Slide



Features

- For face framed and frameless construction
- 32mm and traditional hole pattern
- Lever disconnect for easy drawer removal
- Non-handed design
- Recommended maximum drawer width 24"

Mounting: Side

Action: Telescopic movement on ball-bearings

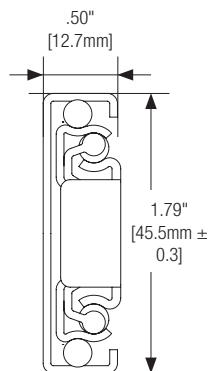
Load Rating: 100 lb. class

Height: 1.79" [45.5mm]

Clearance: .50" + .03" - 0" on each side


Finish: Zinc (ZC)

Profile:

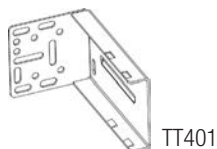


Configurations

Bulk (B)	10 pairs per carton without screws
TT100 Zinc (ZC) Finish	
Size	Bulk (B)
250mm	TT100B 250
300mm	TT100B 300
350mm	TT100B 350
400mm	TT100B 400
450mm	TT100B 450
500mm	TT100B 500
550mm	TT100B 550
600mm	TT100B 600
650mm	TT100B 650
700mm	TT100B 700

Recommended Fasteners		KV Part	Finish	Qty
	#7 x 1/2" Phillips Pan Head	8500-93	Zinc (ZC)	1000

Mounting Brackets



TT401

Product	Front or Rear	Finish	Pack
TT401	Rear	Zinc (ZC)	200 (10 Inner Boxes of 20 Brackets) Pallet Qty: 9,600 each
TT401B	Rear	Zinc (ZC)	200 (200 Loose Brackets) Pallet Qty: 9,600 each

KV DuriSlide™ 4500 Ball-Bearing Drawer Slide



Features

- 32mm and traditional hole pattern
- Lever disconnect for easy drawer removal
- Non-handed design
- Recommended maximum drawer width 24"

Mounting: Side

Action: Telescopic movement on ball-bearings

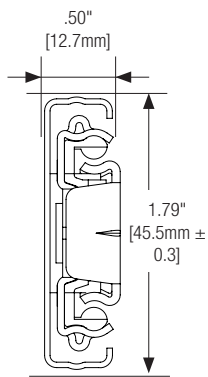
Load Rating: 100 lb. class

Height: 1.79" [45.5mm]

Clearance: .50" + .03" - 0" on each side


Finish: Zinc (ZC)

Profile:



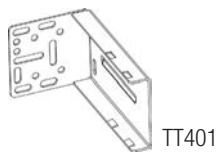
Configurations

Bulk (B)	10 pairs per carton without screws	
Quantity (Q)	20 cabinet members per carton, 100 drawer members per carton	
DUR4500 Zinc (ZC) Finish		
Size	Bulk (B)	Quantity (Q)*
250mm	DUR45B 250	DUR45Q 250
300mm	DUR45B 300	DUR45Q 300
350mm	DUR45B 350	DUR45Q 350
400mm	DUR45B 400	DUR45Q 400
450mm	DUR45B 450	DUR45Q 450
500mm	DUR45B 500	DUR45Q 500
550mm	DUR45B 550	DUR45Q 550
600mm	DUR45B 600	DUR45Q 600
650mm	DUR45B 650	DUR45Q 650
700mm	DUR45B 700	DUR45Q 700

Recommended Fasteners		KV Part	Finish	Qty
	#7 x 1/2" Phillips Pan Head	8500-93	Zinc (ZC)	1000

* Drop Ship Full Container - full pallet quantities vary by size.

Mounting Brackets



Product	Front or Rear	Finish	Pack
TT401	Rear	Zinc (ZC)	200 (10 Inner Boxes of 20 Brackets) Pallet Qty: 9,600 each
TT401B	Rear	Zinc (ZC)	200 (200 Loose Brackets) Pallet Qty: 9,600 each



Undermount Drawer Slides

- KV GSlide GS2070 Full Extension Undermount Drawer Slide 31
- MuV+ Full Extension Undermount Drawer Slide. 32
- MuV+34 Full Extension Undermount Drawer Slide. 33
- MuV+HD Heavy-Duty Full Extension Undermount Drawer Slide. 34
- MuV+34HD Heavy-Duty Full Extension Undermount Drawer Slide. 35

	Mounting Style	Load Class	Type	Extension			Disconnect Type				Open/Close Features		
				Undermount	3/4 Extension	Full Extension	1" Over Travel	No Disconnect	Friction Release	Lever Release	Quick Disconnect	Lift Out	Hold in Anti-Rebound
GS2070	Under	75	•	•	•			•			•	•	•
MuV+	Under	75	•	•	•			•			•	•	•
MuV+34	Under	75	•	•	•			•			•	•	•
MuV+HD	Under	120	•	•	•			•			•	•	•
MuV+34HD	Under	120	•	•	•			•			•	•	•

KV GSlide® GS2070 Full Extension Undermount Drawer Slide

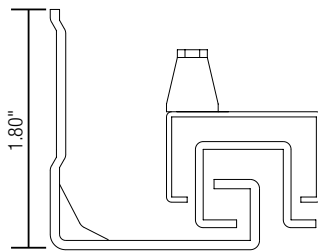


Features

- For use with drawer material thickness from 1/2" to 5/8"
- 32mm hole pattern matches existing industry standards
- Full extension travel

Mounting: Undermount
Action: Telescopic action
Load Rating: 75 lb. class
Height: 1.80" [45.7mm]
Finish: Zinc (ZC)

Profile:




Configurations



Bulk (B)	6 pairs per carton without screws
2070 Zinc (ZC) Finish	
Size	Bulk (B)
9"	KVGS-2070B 9
12"	KVGS-2070B 12
15"	KVGS-2070B 15
18"	KVGS-2070B 18
21"	KVGS-2070B 21

Recommended Fasteners

	#7 x 5/8" Flat Head Slide Mounting Screws
	#7 x 3/4" Flat Head Front Mounting Clip Screws

Mounting Brackets



2070-RBP Plastic Rear
Mounting Bracket
All Lengths

2070-RBM Metal Rear
Mounting Bracket
All Lengths

Product	Description	Carton Quantity
2070-RBP	Plastic rear mounting brackets	60
2070-RBM	Metal rear mounting brackets	60

Release Levers



2070-2D-RL

Release Lever Adjustment

Part Number	Height	Side-to-Side	Carton Quantity
2070-2D-RL	+ 1/8" [3mm]	± 1/16" [1.5mm]	30

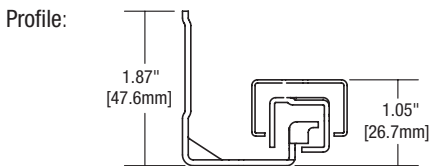
MuV+ Full Extension Undermount Drawer Slide



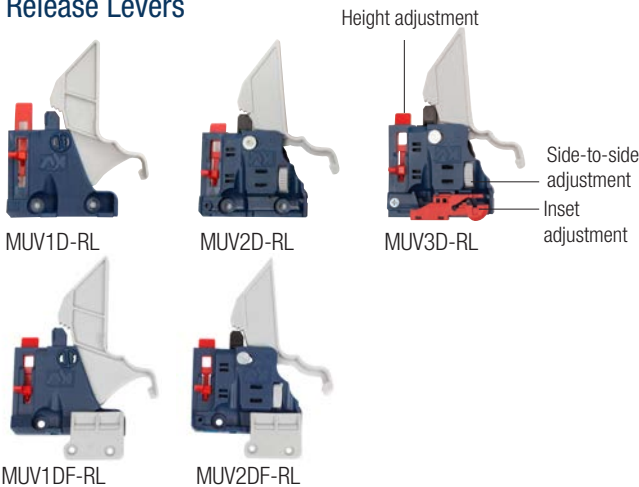
Features

- For use with drawer material thickness from 1/2" to 5/8"
- 32mm hole pattern matches existing industry standards
- Full extension travel
- Redesigned pivoting latch increases sound dampening for a quieter close
- Updated soft-close module allows pull-force adjustment to maintain smooth operation
- Five release levers allow adjustments in installed drawers
- Bottom mounting holes for flat surface mounting

Mounting: Undermount
Action: Telescopic action
Load Rating: 75 lb. class
Height: 1.87" [47.6mm]
Finish: Zinc (ZC)



Release Levers



Release Lever Adjustment

Part Number	Height	Side-to-Side	In/Out
MUV1D-RL	+ 1/8" [3mm]	–	–
MUV2D-RL	+ 1/8" [3mm]	± 1/16" [1.5mm]	–
MUV3D-RL	+ 1/8" [3mm]	± 1/16" [1.5mm]	+ 3/32" [2.5mm]
MUV1DF-RL	+ 1/8" [3mm]	–	–
MUV2DF-RL	+ 1/8" [3mm]	± 1/16" [1.5mm]	–

Configurations



Bulk (B)	9"–12": 4 pairs per carton without screws
	14"–22": 6 pairs per carton without screws
MuV+ Zinc (ZC) Finish	
Size	Bulk (B)
9"	MUVAB 9
10"	MUVAB 10
12"	MUVAB 12
14"	MUVAB 14
15"	MUVAB 15
16"	MUVAB 16
18"	MUVAB 18
20"	MUVAB 20
21"	MUVAB 21
22"	MUVAB 22

Recommended Fasteners	KV Part	Finish	Qty	
	#7 x 5/8" Slide Mounting Screws	MUV-122	Zinc (ZC)	100
	#6 x 1/2" Front Mounting Clip Screws	MUV-123	Zinc (ZC)	100

Optimal Operation Guidelines for Drawer Width Based on Drawer Height	
Drawer Height	Maximum Width
Up to 6"	Slide length + 10"
Greater than 6"	Slide length + 10" or 28", whichever is less
Greater than 8"	Slide length + 10" or 24", whichever is less
Greater than 10"	Slide length + 10" or 21", whichever is less

Mounting Brackets & Installation Jig



MUV-RBP Plastic Rear Mounting Bracket
 Sizes 9–12"

MUV-RBM Metal Rear Mounting Bracket
 Sizes 14"+

MUV-124 Installation Jig

Product	Description	Carton Quantity
MUV-RBP	Plastic rear mounting brackets (sizes 9–12")	8 (4L, 4R)
MUV-RBM	Metal rear mounting brackets (sizes 14"+)	12 (non-handed)
MUV-124	Installation jig	1

MuV+34 Full Extension Undermount Drawer Slide

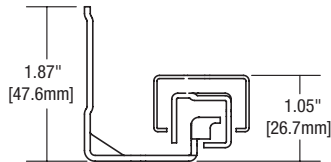


Features

- For use with drawer material thickness from 5/8" to 3/4"
- 32mm hole pattern matches existing industry standards
- Full extension travel
- Redesigned pivoting latch increases sound dampening for a quieter close
- Updated soft-close module allows pull-force adjustment to maintain smooth operation
- Five release levers allow adjustments in installed drawers
- Bottom mounting holes for flat surface mounting

Mounting: Undermount
Action: Telescopic action
Load Rating: 75 lb. class
Height: 1.87" [47.6mm]
Finish: Zinc (ZC)

Profile:



Release Levers



Release Lever Adjustment

Part Number	Height	Side-to-Side	In/Out
MUV1D-RL	+ 1/8" [3mm]	–	–
MUV2D-RL	+ 1/8" [3mm]	± 1/16" [1.5mm]	–
MUV3D-RL	+ 1/8" [3mm]	± 1/16" [1.5mm]	+ 3/32" [2.5mm]
MUV1DF-RL	+ 1/8" [3mm]	–	–
MUV2DF-RL	+ 1/8" [3mm]	± 1/16" [1.5mm]	–

Configurations



Bulk (B)	9"–12": 4 pairs per carton without screws
	14"–22": 6 pairs per carton without screws
MuV+34 Zinc (ZC) Finish	
Size	Bulk (B)
9"	MUV34AB 9
10"	MUV34AB 10
12"	MUV34AB 12
14"	MUV34AB 14
15"	MUV34AB 15
16"	MUV34AB 16
18"	MUV34AB 18
20"	MUV34AB 20
21"	MUV34AB 21
22"	MUV34AB 22

Recommended Fasteners	KV Part	Finish	Qty	
	#7 x 5/8" Slide Mounting Screws	MUV-122	Zinc (ZC)	100
	#6 x 1/2" Front Mounting Clip Screws	MUV-123	Zinc (ZC)	100

Optimal Operation Guidelines for Drawer Width Based on Drawer Height

Drawer Height	Maximum Width
Up to 6"	Slide length + 10"
Greater than 6"	Slide length + 10" or 28", whichever is less
Greater than 8"	Slide length + 10" or 24", whichever is less
Greater than 10"	Slide length + 10" or 21", whichever is less

Mounting Brackets & Installation Jig



Product	Description	Carton Quantity
MUV-RBP	Plastic rear mounting brackets (sizes 9–12")	8 (4L, 4R)
MUV-RBM	Metal rear mounting brackets (sizes 14"+)	12 (non-handed)
MUV-124	Installation jig	1

MuV+HD Heavy-Duty Full Extension Undermount Drawer Slide



Features

- For use with drawer material thickness from 1/2" to 5/8"
- Industry standard 32mm mounting hole pattern
- Recommended maximum drawer width 42"
- Redesigned pivoting latch increases sound dampening for a quieter close
- Updated soft-close module allows pull-force adjustment to maintain smooth operation
- Five release levers allow adjustments in installed drawers
- Bottom mounting holes for flat surface mounting

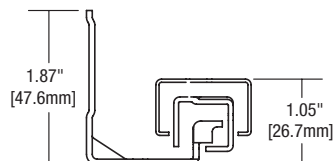
Mounting: Undermount

Load Rating: 120 lb. class

Height: 1.87" [47.6mm]


Finish: Zinc (ZC)

Profile:



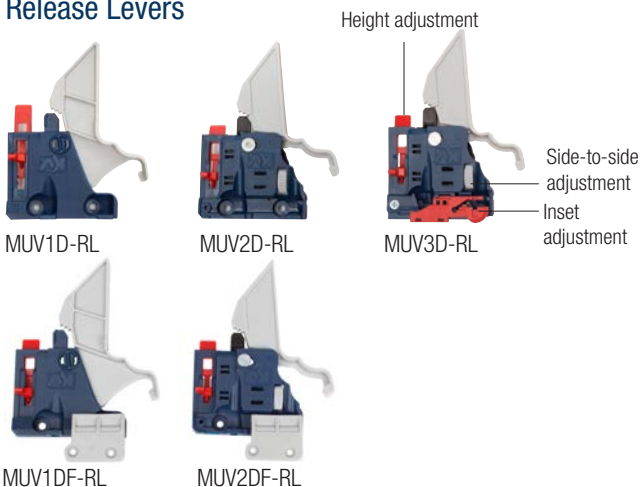
Configurations

Bulk (B)	4 pairs per carton without screws
MuV+HD Zinc (ZC) Finish	
Size	Bulk (B)
18"	MUVHDAB 18
20"	MUVHDAB 20
21"	MUVHDAB 21
22"	MUVHDAB 22
24"	MUVHDAB 24
27"	MUVHDAB 27
30"	MUVHDAB 30

Recommended Fasteners	KV Part	Finish	Qty
 #7 x 5/8" Flathead Wood Screws	MUV-122	Zinc (ZC)	100
#6 x 1/2" Truss Head Wood Screws	MUV-123	Zinc (ZC)	100

Note: MuV+HD and MuV+34HD Face-Frame applications must be blocked out.

Release Levers



Release Lever Adjustment

Part Number	Height	Side-to-Side	In/Out
MUV1D-RL	+ 1/8" [3mm]	–	–
MUV2D-RL	+ 1/8" [3mm]	± 1/16" [1.5mm]	–
MUV3D-RL	+ 1/8" [3mm]	± 1/16" [1.5mm]	+ 3/32" [2.5mm]
MUV1DF-RL	+ 1/8" [3mm]	–	–
MUV2DF-RL	+ 1/8" [3mm]	± 1/16" [1.5mm]	–

Installation Jig



MUV-124
Installation Jig

Product	Description	Carton Quantity
MUV-124	Installation jig	1

MuV+ 34HD Heavy-Duty Full Extension Undermount Drawer Slide



Features

- For use with drawer material thickness from 5/8" to 3/4"
- Industry standard 32mm mounting hole pattern
- Recommended maximum drawer width 42"
- Redesigned pivoting latch increases sound dampening for a quieter close
- Updated soft-close module allows pull-force adjustment to maintain smooth operation
- Five release levers allow adjustments in installed drawers
- Bottom mounting holes for flat surface mounting

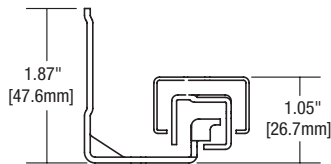
Mounting: Undermount

Load Rating: 120 lb. class

Height: 1.87" [47.6mm]

Finish: Zinc (ZC)

Profile:



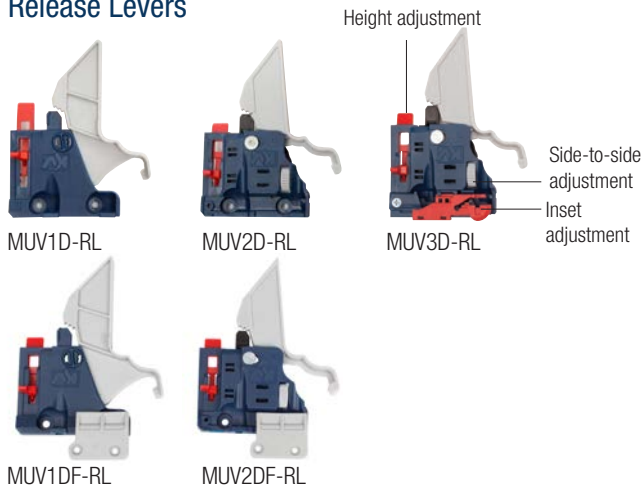
Configurations

Bulk (B)	4 pairs per carton without screws
MuV+34HD Zinc (ZC) Finish	
Size	Bulk (B)
18"	MUV34HDAB 18
20"	MUV34HDAB 20
21"	MUV34HDAB 21
22"	MUV34HDAB 22
24"	MUV34HDAB 24
27"	MUV34HDAB 27
30"	MUV34HDAB 30

Recommended Fasteners	KV Part	Finish	Qty	
	#7 x 5/8" Flathead Wood Screws	MUV-122	Zinc (ZC)	100
	#6 x 1/2" Truss Head Wood Screws	MUV-123	Zinc (ZC)	100

Note: MuV+HD and MuV+34HD Face-Frame applications must be blocked out.

Release Levers



Release Lever Adjustment

Part Number	Height	Side-to-Side	In/Out
MUV1D-RL	+ 1/8" [3mm]	–	–
MUV2D-RL	+ 1/8" [3mm]	± 1/16" [1.5mm]	–
MUV3D-RL	+ 1/8" [3mm]	± 1/16" [1.5mm]	+ 3/32" [2.5mm]
MUV1DF-RL	+ 1/8" [3mm]	–	–
MUV2DF-RL	+ 1/8" [3mm]	± 1/16" [1.5mm]	–

Installation Jig



MUV-124
Installation Jig

Product	Description	Carton Quantity
MUV-124	Installation jig	1



Heavy-Duty Drawer Slides

6500, 6505 Box or File Drawer Slide 37
 8500, 8505 Heavy-Duty File or Lateral Drawer Slides 38
 8520, 8525 Extra Heavy-Duty File or Lateral Drawer Slides 39
 8600, 8605 Heavy-Duty Drawer Slide. 40
 8620, 8625 Metal Cabinet and Drawer Slide 41
 8650FM, 8655FM Heavy-Duty Soft-Close Drawer Slide. 42
 8810, 8815 Heavy-Duty Drawer Slide. 43
 8820, 8825 Heavy-Duty Metal Cabinet and Drawer Slide 44
 8900 Extra Heavy-Duty Full Extension Drawer Slide. 45
 8908, 8909, 8910 Extra Heavy-Duty Full Extension Locking Drawer Slides . . 46

	Mounting Style	Load Class	Type		3/4 Extension	Full Extension	1" Over Travel	No Disconnect	Friction Release	Lever Release	Quick Disconnect	Lift Out	Open/Close Features				
			Roller Bearing	Ball-Bearing									Hold in Anti-Rebound	Hold-Open / Open	Lock Open	Lock Closed	Soft-Close
6500	Side	125	•		•				•								
6505	Side	125	•		•				•								
8500	Side	150	•		•								•	•			
8505	Side	150	•		•								•	•			
8520	Side	175	•		•								•	•			
8525	Side	175	•		•								•	•			
8600	Side	150	•		•				•								
8605	Side	140	•		•				•								
8620	Side	150	•		•				•					•			
8625	Side	140	•		•				•					•			
8650FM	Side	150	•		•				•								•
8655FM	Side	140	•		•				•								•
8810	Side	200	•		•				•					•			
8815	Side	190	•		•				•					•			
8820	Side	200	•		•				•					•			
8825	Side	190	•		•				•					•			
8900	Side	150-500	•		•		•										
8908	Side	150-500	•		•		•									•	•
8909	Side	150-500	•		•		•									•	
8910	Side	150-500	•		•		•										•

6500, 6505 Box or File Drawer Slide



Features

- Lever disconnect for easy drawer removal
- Closed position hold-in detent
- Non-handed design
- Recommended maximum drawer width 30"

Extension: 6500: Full Extension
6505: 1" Over Travel

Mounting: Side

Action: Telescopic movement on ball-bearings

Load Rating: 6500: 125 lb. class

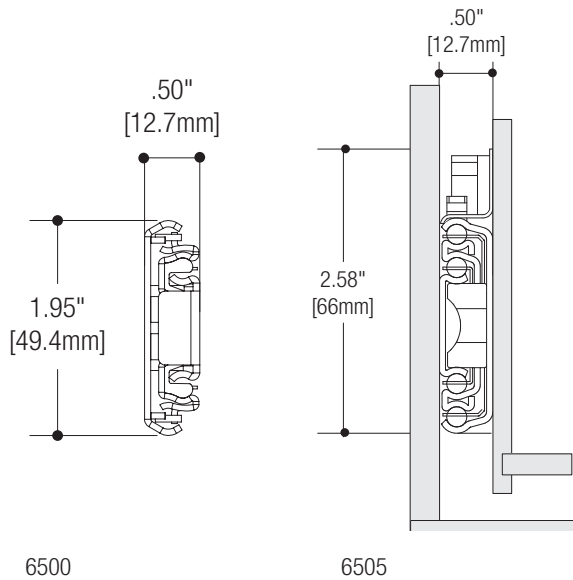
6505: 120 lb. class

Height: 1.95" [49.4mm]

Clearance: .50" + .03" - 0" on each side

Finish: Zinc (ZC)

Profile:




Configurations



Bulk (B)	5 pairs per carton without screws
6500 Zinc (ZC) Finish	
Size	Bulk (B)
12"	6500B 12
14"	6500B 14
16"	6500B 16
18"	6500B 18
20"	6500B 20
22"	6500B 22
24"	6500B 24
26"	6500B 26
28"	6500B 28
6505 Zinc (ZC) Finish	
Size	Bulk (B)
12"	6505B 12
14"	6505B 14
16"	6505B 16
18"	6505B 18
20"	6505B 20
22"	6505B 22
24"	6505B 24
26"	6505B 26
28"	6505B 28

Recommended Fasteners

	#7 x 1/2" Wood Screws
---	-----------------------

8500, 8505 Heavy-Duty File or Lateral Drawer Slides



Features

- 32mm hole pattern
- Non-handed quick disconnect drawer members
- Hold-in feature to prevent bounce back
- Recommended maximum drawer width
8500: 36"
8505: 30"

Extension: 8500: Full extension
8505: 1.25" over travel

Mounting: Side

Action: Progressive movement on ball-bearings

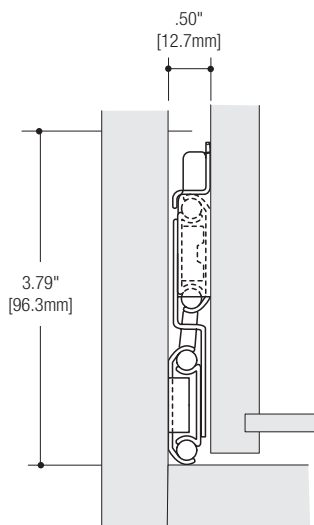
Load Rating: 150 lb. class

Height: 3.79" [96.3mm] (includes quick disconnect rail)

Clearance: .50" + .03" - 0" on each side

Finish: Anochrome (ANO)

Profile:



Configurations



Bulk (B)	5 pairs per carton without screws
Poly (P)	1 pair per bag with screws; 5 pairs per carton
Quantity (Q)	10 pairs without screws; multiple cartons

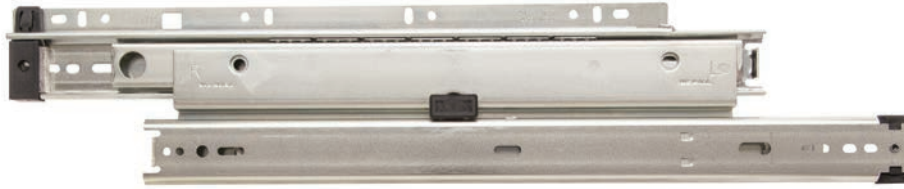
8500 Anochrome (ANO) Finish			
Size	Bulk (B)	Poly (P)	Quantity (Q)
12"	8500B 12	8500P 12	8500Q 12
14"	8500B 14	8500P 14	8500Q 14
16"	8500B 16	8500P 16	8500Q 16
18"	8500B 18	8500P 18	8500Q 18
20"	8500B 20	8500P 20	8500Q 20
22"	8500B 22	8500P 22	8500Q 22
24"	8500B 24	8500P 24	8500Q 24
26"	8500B 26	8500P 26	8500Q 26
28"	8500B 28	8500P 28	8500Q 28
30"	8500B 30	8500P 30	8500Q 30

8505 Anochrome (ANO) Finish			
Size	Bulk (B)	Poly (P)	Quantity (Q)
12"	8505B 12	8505P 12	8505Q 12
14"	8505B 14	8505P 14	8505Q 14
16"	8505B 16	8505P 16	8505Q 16
18"	8505B 18	8505P 18	8505Q 18
20"	8505B 20	8505P 20	8505Q 20
22"	8505B 22	8505P 22	8505Q 22
24"	8505B 24	8505P 24	8505Q 24
26"	8505B 26	8505P 26	8505Q 26
28"	8505B 28	8505P 28	8505Q 28
30"	8505B 30	8505P 30	8505Q 30

Recommended Fasteners	KV Part	Finish	Qty
#7 x 1/2" Phillips Pan Head Screws	8500-93	Zinc (ZC)	1000

Non-stock item – minimum order quantities and additional lead time may apply.

8520, 8525 Extra Heavy-Duty File or Lateral Drawer Slides



Features

- 32mm hole pattern
- Non-handed quick disconnect drawer members
- Hold-in feature to prevent bounce back
- Recommended maximum drawer width
8520: 42"
8525: 36"

Extension: 8520: Full extension
8525: 1.25" over travel

Mounting: Side

Action: Progressive movement on ball-bearings

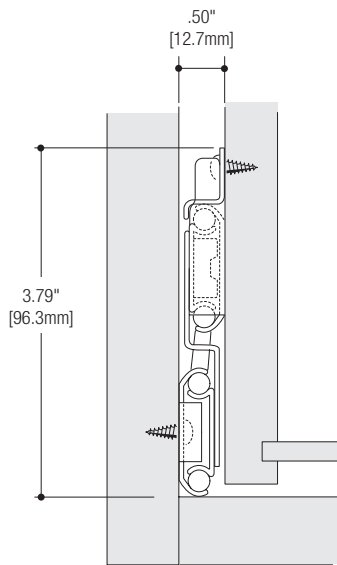
Load Rating: 175 lb. class

Height: 3.79" [96.3mm] (includes quick disconnect rail)

Clearance: .50" + .03" - 0" on each side

Finish: Anochrome (ANO)

Profile:



Configurations

Poly (P)	1 pair per bag with screws; 5 pairs per carton
8520 Anochrome (ANO) Finish	
Size	Poly (P)
16"	8520P 16
18"	8520P 18
20"	8520P 20
8525 Anochrome (ANO) Finish	
16"	8525P 16
18"	8525P 18
20"	8525P 20

Recommended Fasteners		KV Part	Finish	Qty
	#7 x 1/2" Phillips Pan Head Screws	8500-93	Zinc (ZC)	1000

 Non-stock item – minimum order quantities and additional lead time may apply.

8600, 8605 Heavy-Duty Drawer Slide



Features

- Butterfly lever disconnect
- Non-handed design
- Recommended maximum drawer width 36"

Extension: 8600: Full Extension
8605: 1" Over Travel

Mounting: Side

Action: Telescopic movement on ball-bearings

Load Rating (based on application):

Load: 8600: 150 lb. class

8605: 140 lb. class

Max. Drawer Width: 36"

Slides: 18"

Drawer Width: 36"

Cycles: 50,000 (center pull)

Load: 8600: 200 lb.

8605: 190 lb.

Max. Drawer Width: 18"

Slides: 18"

Drawer Width: 18"

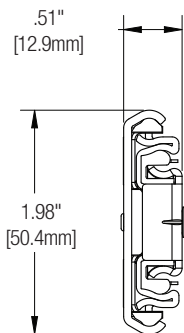
Cycles: 25,000 (center pull)

Height: 1.98" [50.4mm]

Clearance: .51" + .01" - 0" on each side

Finish: Zinc (ZC)

Profile:



Configurations



Bulk (B)	5 pairs per carton without screws
8600 Zinc (ZC) Finish	
Size	Bulk (B)
12"	8600B 12
14"	8600B 14
16"	8600B 16
18"	8600B 18
20"	8600B 20
22"	8600B 22
24"	8600B 24
26"	8600B 26
28"	8600B 28
8605 Zinc (ZC) Finish	
Size	Bulk (B)
12"	8605B 12
14"	8605B 14
16"	8605B 16
18"	8605B 18
20"	8605B 20
22"	8605B 22
24"	8605B 24
26"	8605B 26
28"	8605B 28

Recommended Fasteners

	#7 x 1/2" Truss Head Screws
---	-----------------------------

8620, 8625 Metal Cabinet and Drawer Slide

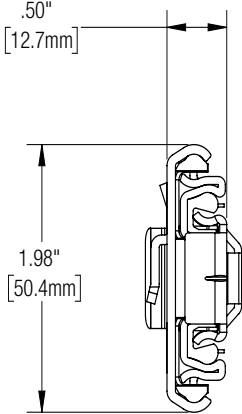


Features

- Bayonet and Belt Loop Mount
- Lever disconnect for easy drawer removal
- Recommended maximum drawer width 36"

Extension: 8620: Full Extension
 8625: 1" Over Travel
Mounting: Side (Bayonet and Belt Loop)
Action: Telescopic action on ball-bearings
Load Rating: 8620: 150 lb. class
 8625: 140 lb. class
Height: 1.98" [50.4mm]
Clearance: .51" + .01" - 0" on each side
Finish: Zinc (ZC)

Profile:



Configurations

Quantity (Q)	10 pairs; multiple cartons
8620 Zinc (ZC) Finish	
Size	Quantity (Q)
14"	8620Q 14
16"	8620Q 16
18"	8620Q 18
20"	8620Q 20
22"	8620Q 22
24"	8620Q 24
26"	8620Q 26
28"	8620Q 28
8625 Zinc (ZC) Finish	
Size	Quantity (Q)
14"	8625Q 14
16"	8625Q 16
18"	8625Q 18
20"	8625Q 20
22"	8625Q 22
24"	8625Q 24
26"	8625Q 26
28"	8625Q 28

Non-stock item – minimum order quantities and additional lead time may apply.

8650FM, 8655FM Heavy-Duty Soft-Close Drawer Slide



Features

- Patented Force Management (FM) Soft-Close Technology
- Butterfly lever disconnect
- Non-handed design
- Recommended maximum drawer width 36"

Extension: 8650FM: Full Extension
8655FM: 1" Over Travel

Mounting: Side

Action: Telescopic movement on ball-bearings

Load Rating: 8650FM: 150 lb. class

8655FM: 140 lb. class

Max. Drawer Width: 36"

Slides: 18"

Drawer Width: 36"

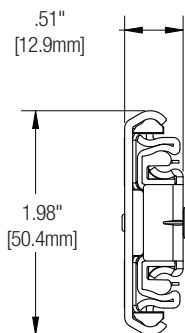
Cycles: 50,000 (center pull)

Height: 1.98" [50.4mm]

Clearance: .51" + .01"- 0" on each side

Finish: Zinc (ZC)


Profile:



Configurations

Bulk (B)	5 pairs per carton without screws
8650 Zinc (ZC) Finish	
Size	Bulk (B)
14"	8650FMB 14
16"	8650FMB 16
18"	8650FMB 18
20"	8650FMB 20
22"	8650FMB 22
24"	8650FMB 24
26"	8650FMB 26
28"	8650FMB 28
8655 Zinc (ZC) Finish	
Size	Bulk (B)
18"	8655FMB 18
20"	8655FMB 20
22"	8655FMB 22
24"	8655FMB 24
26"	8655FMB 26
28"	8655FMB 28

Recommended Fasteners

	#7 x 1/2" Truss Head Screws
---	-----------------------------

14" and 16" less than full extension
14" extension = 11"; 16" extension = 15"

8810, 8815 Heavy-Duty Drawer Slide



Features

- Non-handed design for easy installation
- Closed-position hold-in detent
- Butterfly lever release
- Recommended maximum drawer width 42"

Extension: 8810: Full Extension
8815: 1" Over Travel

Mounting: Side

Action: Telescopic movement on ball-bearings

Load Rating: 8810: 200 lb. class

8815: 190 lb. class

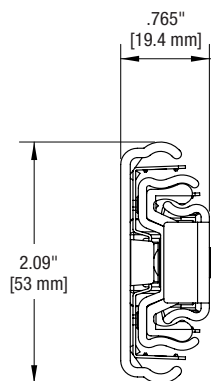
- 100 lb. flat mount rating

Height: 2.09" [53mm]


Clearance: .765" + .02" - .01" on each side

Finish: Zinc (ZC)

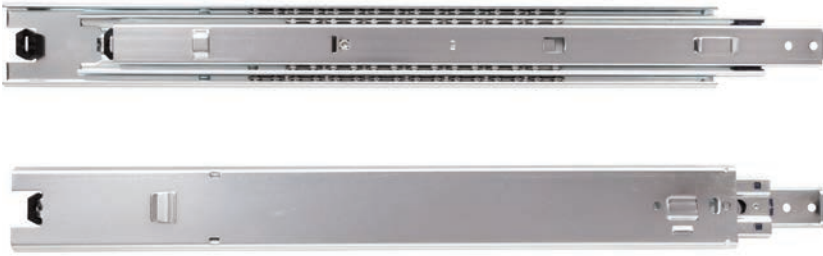
Profile:



Configurations

Bulk (B)	4 pairs per carton without screws
8810 Zinc (ZC) Finish	
Size	Bulk (B)
10"	8810B 10
12"	8810B 12
14"	8810B 14
16"	8810B 16
18"	8810B 18
20"	8810B 20
22"	8810B 22
24"	8810B 24
26"	8810B 26
28"	8810B 28
8815 Zinc (ZC) Finish	
Size	Bulk (B)
12"	8815B 12
14"	8815B 14
16"	8815B 16
18"	8815B 18
20"	8815B 20
22"	8815B 22
24"	8815B 24
26"	8815B 26
28"	8815B 28
Recommended Fasteners	
	#8 or #10 x 5/8" Phillips Flathead

8820, 8825 Heavy-Duty Metal Cabinet and Drawer Slide



Features

- Bayonet and Belt Loop Mount
- Lever disconnect for easy drawer removal
- Recommended maximum drawer width 42"

Extension: 8820: Full Extension
8825: 1" Over Travel

Mounting: Side (Bayonet and Belt Loop)

Action: Telescopic action on ball-bearings

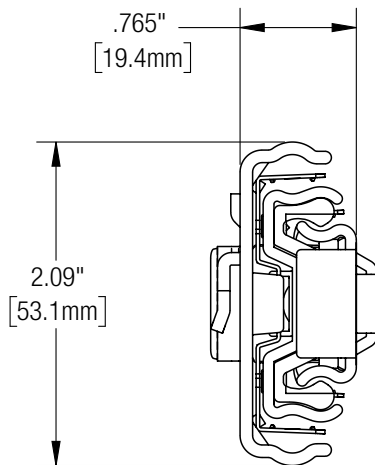
Load Rating: 8820: 200 lb. class
8825: 190 lb. clas

Height: 2.09" [53mm]

Clearance: .765" + .02" - .01" on each side

Finish: Zinc (ZC)

Profile:



Configurations

Quantity (Q)	5 pairs; multiple cartons
8820 Zinc (ZC) Finish	
Size	Quantity (Q)
14"	8820Q 14
16"	8820Q 16
18"	8820Q 18
20"	8820Q 20
22"	8820Q 22
24"	8820Q 24
26"	8820Q 26
28"	8820Q 28
8825 Zinc (ZC) Finish	
Size	Quantity (Q)
14"	8825Q 14
16"	8825Q 16
18"	8825Q 18
20"	8825Q 20
22"	8825Q 22
24"	8825Q 24
26"	8825Q 26
28"	8825Q 28

■ Non-stock item – minimum order quantities and additional lead time may apply.

8900 Extra Heavy-Duty Full Extension Drawer Slide



Features

- Heavy-Duty stops are designed to withstand rough use
- Non-handed design for easy installation
- Full extension travel
- Non-disconnect

Mounting: Side

Action: Telescopic movement on ball-bearings

Load Rating: 100–500 lb. class depending on application

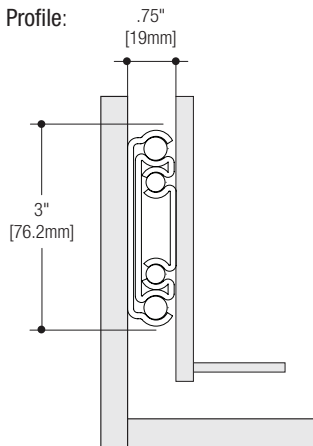
- 100 lb. flat mount rating

Height: 3" [76.2mm]

Clearance: .75" + .03" - 0" on each side

Finish: Zinc (ZC)

Profile:



Configurations



Bulk (B)	10" – 20": 4 pairs per carton; 22" – 28": 3 pairs per carton 30" – 36": 2 pairs per carton; 40" – 60": 1 pair per carton	
Poly (P)	10" – 20": 4 pairs per carton; 22" – 28": 3 pairs per carton 30" – 36": 2 pairs per carton	
8900 Zinc (ZC) Finish		
Size	Bulk (B)	Poly (P)
10"	8900B 10	8900P 10
12"	8900B 12	8900P 12
14"	8900B 14	8900P 14
16"	8900B 16	8900P 16
18"	8900B 18	8900P 18
20"	8900B 20	8900P 20
22"	8900B 22	8900P 22
24"	8900B 24	8900P 24
26"	8900B 26	8900P 26
28"	8900B 28	8900P 28
30"	8900B 30	8900P 30
32"	8900B 32	8900P 32
34"	8900B 34	8900P 34
36"	8900B 36	8900P 36
40"	8900B 40	–
42"	8900B 42	–
44"	8900B 44	–
48"	8900B 48	–
60"	8900B 60	–

Recommended Fasteners

	1/4" [M6 Euro] flat, hex or pan head screw for 0.26" [6.6mm] cabinet member hole
	1/4" [M6 Euro] hex or pan head screw for 0.26" [6.6mm] drawer member hole
	#10 [M5 Euro] flat, hex or pan head screw for 0.20" [5.2mm] cabinet member hole
	#10 [M5 Euro] hex or pan head screw for 0.20" [5.2mm] drawer member hole

Load Rating Chart

Load Rating	Test Condition	Open/Close Cycle Tested
500 lb.	18" slide in 18" width drawer	10,000
400 lb.	18" slide in 42" width drawer	30,000
300 lb.	18" slide in 36" width drawer	75,000
100 lb. flat load	18" slide in 32" width drawer	10,000

Note: This slide must never be used as a pull-out step, platform, or any other application supporting human weight as injury may result.

8908, 8909, 8910 Extra Heavy-Duty Full Extension Locking Drawer Slides



Features

- Automatic lock-in/lock-out feature
- Intuitive uni-directional release/closure
- Removable, ergonomic handle
- Spring-activated latches for vertical and horizontal mounting
- Non-disconnect

Extension: 8908: Extra Heavy-Duty full extension lock-in/lock-out slide
 8909: Extra Heavy-Duty full extension lock-out only slide
 8910: Extra Heavy-Duty full extension lock-in only slide

Mounting: Side or flat mount

Action: Telescopic movement on ball-bearings

Load Rating: 100–500 lb. class depending on application

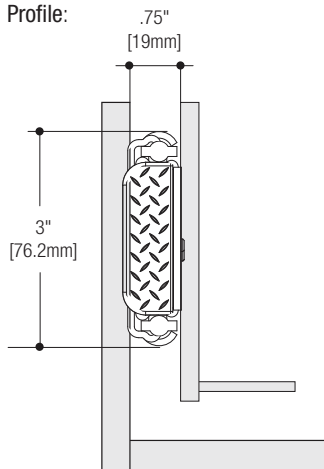
- 100 lb. flat mount rating

Height: 3" [76.2mm]

Clearance: .75" + .03" - 0" on each side

Finish: Zinc (ZC)

Profile:



Configurations

Bulk (B)	10" – 20": 8 slides per carton without screws 22" – 28": 6 slides per carton without screws 30" – 36": 4 slides per carton without screws 40", 42", 44", 48", 60": 2 slides per carton without screws Each slide is poly-bagged with instructions included Sold per slide, not pair		
8908, 8909 & 8910 Zinc (ZC) Finish			
Size	8908 Lock-in/Lock-out	8909 Lock-out Only	8910 Lock-in Only
10"	–	8909B 10	8910B 10
12"	8908B 12	8909B 12	8910B 12
14"	8908B 14	8909B 14	8910B 14
16"	8908B 16	8909B 16	8910B 16
18"	8908B 18	8909B 18	8910B 18
20"	8908B 20	8909B 20	8910B 20
22"	8908B 22	8909B 22	8910B 22
24"	8908B 24	8909B 24	8910B 24
26"	8908B 26	8909B 26	8910B 26
28"	8908B 28	8909B 28	8910B 28
30"	8908B 30	8909B 30	8910B 30
32"	8908B 32	8909B 32	8910B 32
34"	8908B 34	8909B 34	8910B 34
36"	8908B 36	8909B 36	8910B 36
40"	8908B 40	8909B 40	8910B 40
42"	8908B 42	8909B 42	8910B 42
44"	8908B 44	8909B 44	8910B 44
48"	8908B 48	8909B 48	8910B 48
60"	8908B 60	8909B 60	8910B 60

Note: This slide must never be used as a pull-out step, platform, or any other application supporting human weight as injury may result.

Note: The 8908 slide is designed for applications in the 100 – 500 lb. class based on application: modest use 500 lbs.; normal use 400 lbs.; vehicular use 300 lbs.; flat mount 100 lbs..

■ Non-stock item – minimum order quantities and additional lead time may apply.



Specialty Drawer Slides

6300 Corrosion Resistant Finish Drawer Slide 48

6400 Stainless Steel Drawer Slide 49

8000 Over Travel Undermount Pantry Drawer Slide 50

8500T Lateral File Drawer Systems 51

	Mounting Style	Load Class	Type	Extension	Disconnect Type			Open/Close Features						
					Ball-Bearing Roller Bearing	3/4 Extension Full Extension	1" Over Travel No Disconnect	Quick Disconnect Lift Out	Hold In Anti-Rebound	Hold-Out / Open	Lock Open	Self-Close	Push-to-Open	Soft-Close
6300	Side	100		•	•		•	•						
6400	Side	100		•	•		•	•						
8000	Under	130		•		•	•	•						
8500T	Side	150		•	•		•	•						

6300 Corrosion Resistant Finish Drawer Slide



Features

- Corrosion Resistant Finish - passes 100 hour salt spray test
- USDA H-1 approved grease
- 32mm hole pattern
- Lever disconnect for easy drawer removal
- Hold-in detent
- Non-handed design
- Recommended maximum drawer width 24"

Stainless Steel Components

- Ball-Bearing Retainer
- Ball-Bearings
- Release Lever Rivets
- Fasteners (included)

Mounting: Side

Action: Telescopic movement on ball-bearings

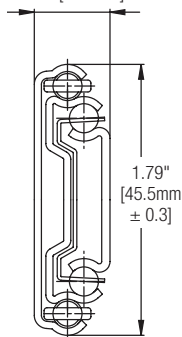
Load Rating: 100 lb. class

Height: 1.79" [45.5mm]

Clearance: .50" + .03" - 0" on each side

Finish: Corrosion Resistant (CR)

Profile: .50" [12.7mm]



Configurations



Poly (P)	1 pair per bag with screws; 10 pair per carton
6300 Corrosion Resistant (CR) Finish	
Size	Poly (P)
250mm	6300P CR 10
300mm	6300P CR 12
350mm	6300P CR 14
400mm	6300P CR 16
450mm	6300P CR 18
500mm	6300P CR 20
550mm	6300P CR 22
600mm	6300P CR 24
650mm	6300P CR 26
700mm	6300P CR 28

Recommended Fasteners

	#7 x 1/2" Stainless Steel Phillips Pan Head
---	---

Mounting Brackets



Product	Front or Rear	Finish	Pack
6340 RB	Rear	Corrosion Resistant (CR)	10 pair/carton

6400 Stainless Steel Drawer Slide



Features

- 304-Grade stainless steel
- Ideal for use in wet or corrosive environments
- USDA H-1 approved grease
- Lever disconnect
- Recommended drawer width 24"

Mounting: Side

Action: Telescopic movement on ball-bearings

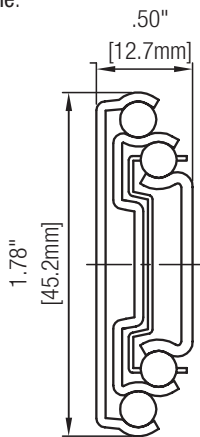
Load Rating: 100 lb. class

Height: 1.78" [45.2mm]

Clearance: .50" + .03" - 0" on each side

Finish: Stainless Steel (SS)

Profile:



Configurations



Poly (P)	1 pair per bag with screws; 10 pairs per carton
6400 Stainless Steel (SS) Finish	
Size	Poly (P)
10"	6400P SS 10
12"	6400P SS 12
14"	6400P SS 14
16"	6400P SS 16
18"	6400P SS 18
20"	6400P SS 20
22"	6400P SS 22
24"	6400P SS 24
26"	6400P SS 26
28"	6400P SS 28

Recommended Fasteners



#8 x 1/2" Stainless Steel Pan Head Screws

Mounting Brackets



Product	Front or Rear	Finish	Pack
6340 RB	Rear	Corrosion Resistant (CR)	10 pair/carton

8000 Over Travel Undermount Pantry Drawer Slide



Removable
Mounting Brackets

Features

- Removable mounting brackets
- Hold-in detent
- Key-hole style mounting holes
- 1" over travel

Mounting: Bottom mount

Action: Telescopic movement on ball-bearings

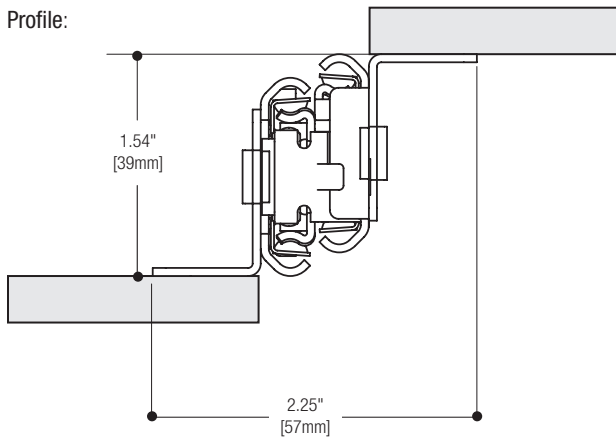
Load Rating: 130 lb. class

Height: 1.54" [39mm]
2.25" [57mm] (includes brackets)

Clearance: 3/4" (slide only); 2-1/4" (with brackets)


Finish: Anochrome (ANO)

Profile:



Configurations

Poly (P)	1 pair per bag with screws; 5 pairs per carton
8000 Anochrome (ANO) Finish	
Size	Poly (P)
12"	8000P 12
14"	8000P 14
16"	8000P 16
18"	8000P 18
20"	8000P 20
22"	8000P 22
24"	8000P 24
26"	8000P 26
28"	8000P 28

Recommended Fasteners	KV Part	Finish	Qty
 #8 x 5/8" Phillips Pan Head	200114-6	Zinc (ZC)	1000

8500T Lateral File Drawer Systems



Features

- Patented integrated anti-tilt mechanism
- Uses high-strength cable that laces through the drawer slides and snaps into place, allowing only one drawer to open at a time
- Accommodates drawers on 12" ($\pm 1/2$ ") vertical centers
- Non-handed quick disconnect rail
- Designed for use on lateral file applications where a drawer anti-tilt feature is needed
- Full extension slide with maximum 36" drawer width

Mounting: Side

Action: Progressive movement on ball-bearings

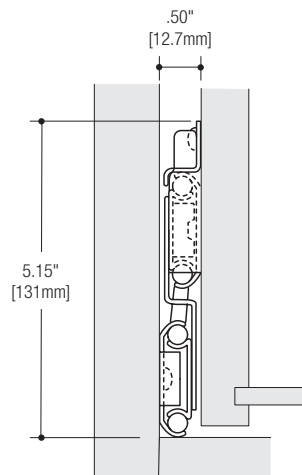
Load Rating: 150 lb. class

Height: 5.15" [131mm]

Clearance: .50" + .03" - 0" on each side


Finish: Anochrome (ANO)

Profile:



Configurations

Quantity (Q)	20 pairs without screws; multiple cartons
8500T Anochrome (ANO) Finish	
Size	Quantity (Q)
16"	8500TQ 16
18"	8500TQ 18
20"	8500TQ 20
Special Order Only	
8520T	Special Order
8525T	Special Order

Recommended Fasteners	KV Part	Finish	Qty
 #7 x 1/2" Phillips Pin Head Screws	8500-93	Zinc (ZC)	1000

8500 Interlok™ Cable Accessory

Required for 8500T Interlok anti-tilt systems.

Product	Size	Packed
8500T-11B 482	For 2-high lateral files	40 per carton
8500T-11B 789	For 3-high lateral files	40 per carton
8500T-11B 1095	For 4-high lateral files	40 per carton

Note: Custom length cables are available as special order. Consult Customer Service for information and availability.



Overhead Door and Desk Slides

- 4461D 5/8 Extension Variable Height Keyboard Slide 53
- 8150, 8157 3/4 Extension Variable Height Keyboard Slides 54
- 8250 3/4 Extension Variable Height Pencil or Center Drawer Slide 55
- 8050 Hinged Door Slide 56

	Mounting Style	Load Class	Type	Extension			Disconnect Type			Open/Close Features									
				Ball-Bearing	5/8 Extension	3/4 Extension	Full Extension	1" Over Travel	No Disconnect	Friction Release	Lever Release	Lift Out	Quick Disconnect	Hold In Anti-Rebound	Hold-Out / Open	Lock Open	Self-Close	Push-to-Open	Soft-Close
4461D	Under	75		•	•				•				•	•					•
8150	Under	75		•		•				•			•	•					
8157	Under	75		•		•				•			•	•					
8250	Under	75		•		•				•			•						

4461D 5/8 Extension Variable Height Keyboard Slide



Features

- Mounting brackets adjust to three heights and can be reversed for in-board and out-board mounting
- Anti-rebound stay-close design holds pencil drawer in closed position yet allows for easy opening
- Integrated shelf tabs

Mounting: Under surface

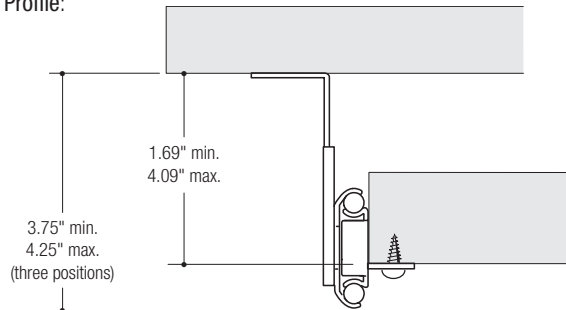
Action: Ball-bearing movement

Load Rating: 75 lb. class

Height: Overall drop height 3.75" to 4.25" in 1/2" increments

Finish: Black (BLK)

Profile:



Configurations

Poly (P)	1 pair per bag with screws; 5 pairs per carton
4461D Black (BLK) Finish	
Size	Poly (P)
15"	4461D

Recommended Fasteners

	#10 x 5/8" Phillips Pan Head
---	------------------------------

8150, 8157 3/4 Extension Variable Height Keyboard Slide



Features

- Mounting brackets adjust to seven different heights and can be reversed for in-board/out-board mounting
- Track member quickly disconnects using positive lever release, easing installation
- Hold-out feature keeps drawer securely in the open position
- Hold-in feature prevents keyboard tray bounce back

Extension: 8150: 3/4 extension keyboard slide
8157: 3/4 extension keyboard slide with shelf tabs

Mounting: Under surface

Action: Ball-bearing movement

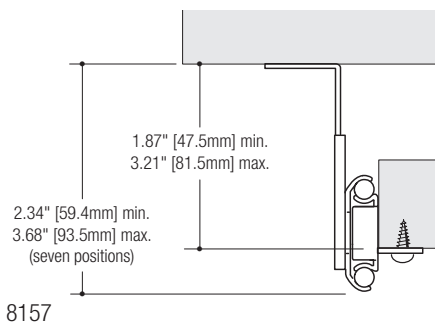
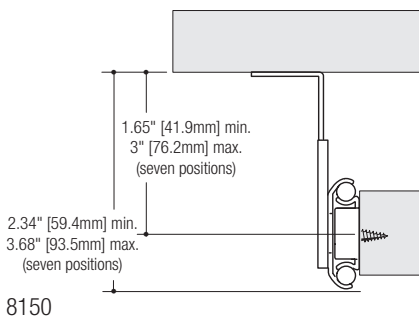
Load Rating: 75 lb. class

Height: Overall drop height adjusts from 2.34" [59.4mm] to 3.68" [93.5mm] in 7/32" increments

Clearance: 1.62" [41mm] per side out-board
.62" [15.7mm] per side in-board

Finish: Anochrome (ANO), Ebony Black (EB)


Profile:



Configurations



Poly (P)	1 pair per bag with screws; 10 pairs per carton
8150 Anochrome (ANO) Finish	
Size	Poly (P)
12"	8150P 12
14"	8150P 14
16"	8150P 16
18"	8150P 18
20"	8150P 20
8150 Ebony Black (EB) Finish	
12"	8150P EB 12
14"	8150P EB 14
16"	8150P EB 16
18"	8150P EB 18
20"	8150P EB 20
8157 Anochrome (ANO) Finish	
14"	8157P 14
16"	8157P 16
18"	8157P 18
20"	8157P 20
8157 Ebony Black (EB) Finish	
14"	8157P EB 14
16"	8157P EB 16
18"	8157P EB 18
20"	8157P EB 20

Recommended Fasteners		KV Part	Finish	Qty
	#7 x 1/2" Phillips Pan Head	8500-93	Zinc (ZC)	1000

☐ Non-stock item – minimum order quantities and additional lead time may apply.

8250 3/4 Extension Variable Height Pencil or Center Drawer Slide



Features

- Mounting brackets adjust to seven heights and can be reversed for in-board and out-board mounting
- Anti-rebound stay-close design holds pencil drawer in closed position yet allows for easy opening
- Track member quickly disconnects using positive lever releases

Mounting: Under surface

Action: Ball-bearing movement

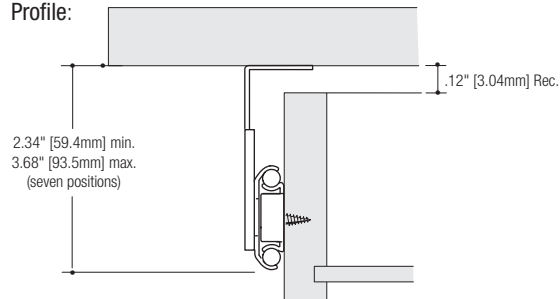
Load Rating: 75 lb. class

Height: Overall drop height 2.34" [59.4mm] to 3.68" [93.5mm] in 7/32" increments

Clearance: 1.62" [41mm] per side out-board
.53" [13.5mm] per side in-board

Finish: Anochrome (ANO)

Profile:



Configurations

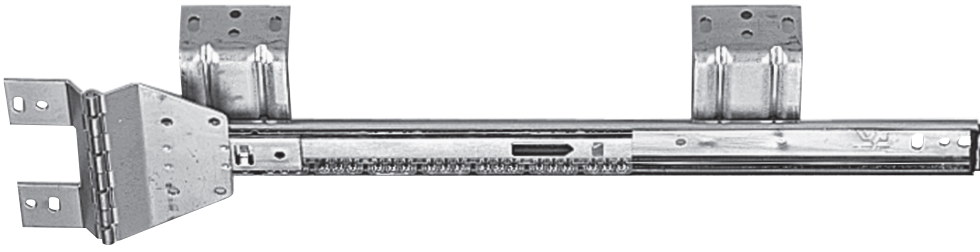


Poly (P)	1 pair per bag with screws; 10 pairs per carton	
Quantity (Q)	20 pairs without screws; multiple cartons	
8250 Anochrome (ANO) Finish		
Size	Poly (P)	Quantity (Q)
10"	8250P 10	8250Q 10
12"	8250P 12	8250Q 12
14"	8250P 14	8250Q 14
16"	8250P 16	8250Q 16
18"	8250P 18	8250Q 18
20"	8250P 20	8250Q 20
22"	8250P 22	8250Q 22

Recommended Fasteners		KV Part	Finish	Qty
	#7 x 1/2" Phillips Pan Head	8500-93	Zinc (ZC)	1000

Non-stock item – minimum order quantities and additional lead time may apply.

8050 Hinged Door Slide



Features

- One-piece, non-marring roller
- Permanently staked hinge pin

Mounting: Under surface

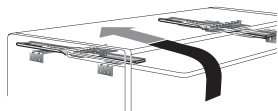
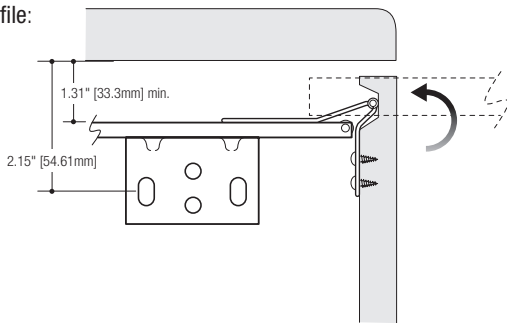
Action: Ball-bearing movement

Load Rating: 20 lb. class

Clearance: 1.31" [33.3mm] minimum

Finish: Anochrome (ANO)


Profile:



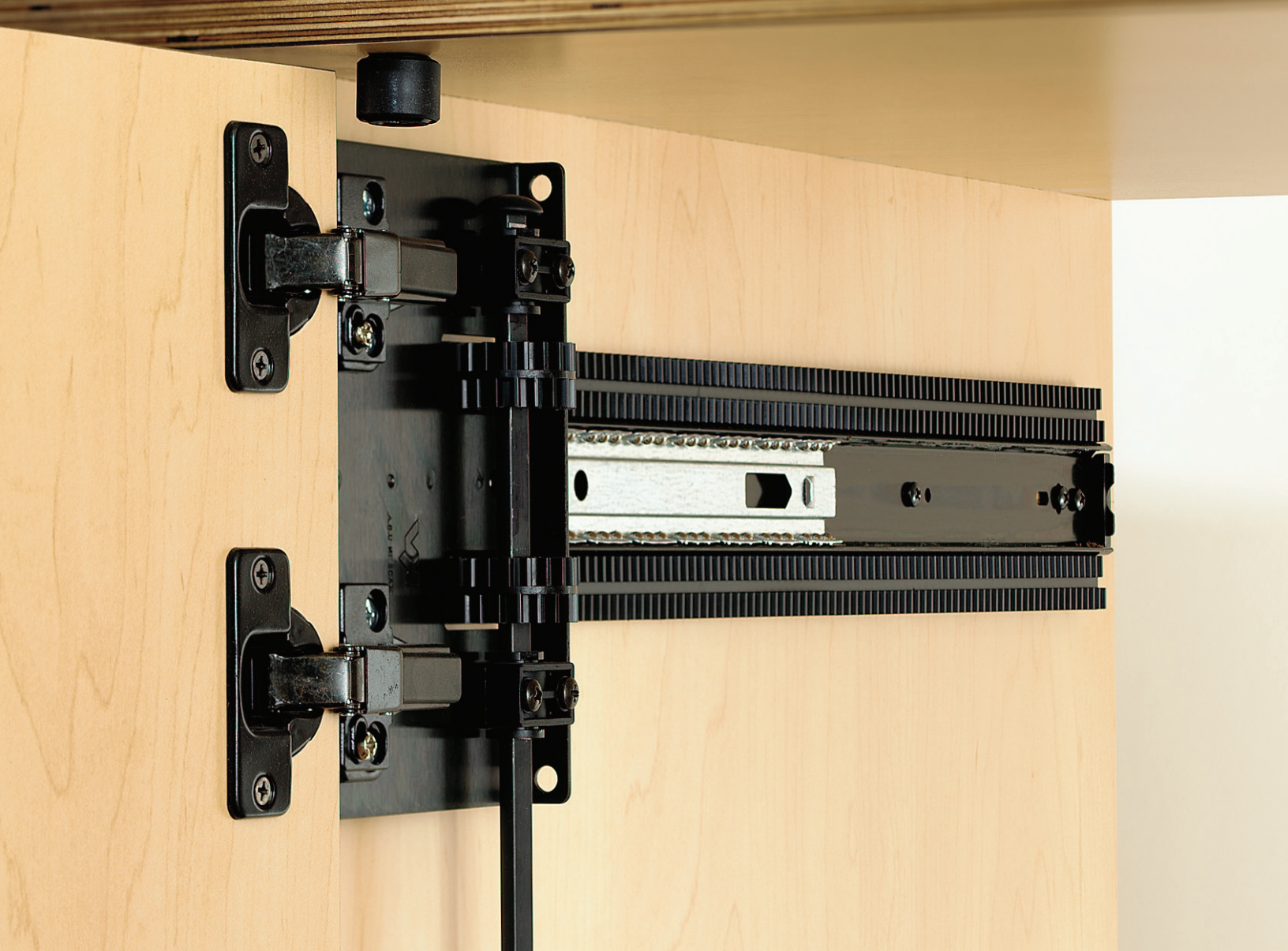
Up and under application

Configurations

Poly (P)	1 pair per bag with screws; 10 pairs per carton
8050 Anochrome (ANO) Finish	
Size	Poly (P)
12"	8050PEZ 12
14"	8050PEZ 14
16"	8050PEZ 16
18"	8050PEZ 18
20"	8050PEZ 20
22"	8050PEZ 22
24"	8050PEZ 24

Recommended Fasteners	KV Part	Finish	Qty
 #7 x 1/2" Phillips Pan Head	8500-93	Zinc (ZC)	1000

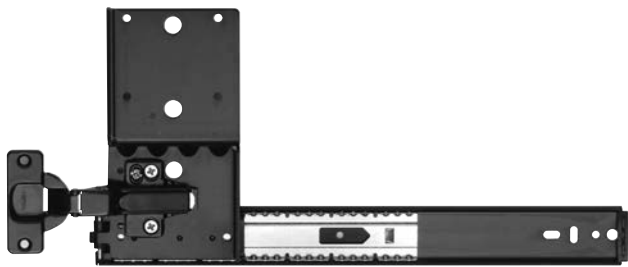
■ Non-stock item – minimum order quantities and additional lead time may apply.



Door Slides and Hinge Kits

8070, 8071, 8072 Pivot Door Slides	58
8080, 8081, 8082 Pivot Door Slides	59
8091, 8092 Pivot Door Slides	60
4x4 Pocket Door Full Overlay Kit.	61
Salice Hinge Kits	62

8070, 8071, 8072 Pivot Door Slides



Features

- Cabinet acts as installation jig
- Cushioned stops and door hold-out
- Three-way adjustable door hinge

Extension: 8070: 3/4 extension slide with self-close 35mm hinge
 8071: 3/4 extension slide without hinge and base
 8072: 3/4 extension slide with included hinge base

Mounting: Side

Action: Ball-bearing movement

Load Rating: 30 lb. class

Maximum

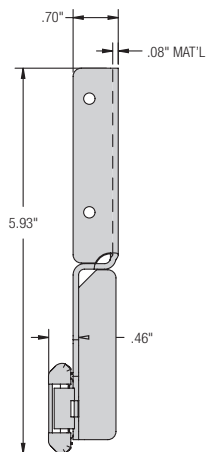
Dimensions: Vertical doors: 42" high x 24" wide
 Horizontal pivot doors: 24" high x 48" wide

Clearance:

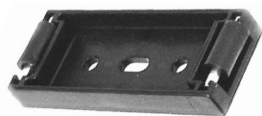
Maximum Slide Width Including Hinges		
Type	Standard	Salice
Self-close hinge	1-23/32"	1-21/32"
Free-swing hinge	1-23/32"	1-21/32"
Overlay hinge	1-23/32"	1-7/8"
Thick door hinge	2-3/32"	-
Extra-thick door hinge	2-13/32"	2-5/16"

Finish: Ebony Black (EB)

Profile:



8090P CR Raised Panel Cassette Roller



Additional protection for raised panel doors

Product	Pack
8090P CR	1 per poly pack with screws; 20 per carton

Configurations

Poly (P)		1 pair per bag with screws; 10 pairs per carton			
8070EZ Ebony Black (EB)		8071EZ Ebony Black (EB)		8072EZ Ebony Black (EB)	
Includes standard 3/4 inset hinge and baseplate		Hinges and baseplates are not included		Baseplate included; Must order hinges separately	
Size	Poly (P)	Size	Poly (P)	Size	Poly (P)
12"	8070PEZ EB 12	12"	8071PEZ EB 12	12"	8072PEZ EB 12
14"	8070PEZ EB 14	14"	8071PEZ EB 14	14"	8072PEZ EB 14
16"	8070PEZ EB 16	16"	8071PEZ EB 16	16"	8072PEZ EB 16
18"	8070PEZ EB 18	18"	8071PEZ EB 18	18"	8072PEZ EB 18
20"	8070PEZ EB 20	20"	8071PEZ EB 20	20"	8072PEZ EB 20
22"	8070PEZ EB 22	22"	8071PEZ EB 22	22"	8072PEZ EB 22
24"	8070PEZ EB 24	24"	8071PEZ EB 24	24"	8072PEZ EB 24

Recommended Fasteners		KV Part	Finish	Qty
	#6 x 13/32" Phillips Pan Head	1300-83	Zinc (ZC)	1000

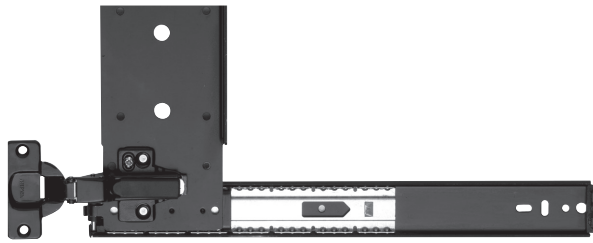
Hinge Kit Options



Hinge Kit (K)		2 hinges per kit; 10 kits per carton		
Nickel Hinges (For Use with 8072)				
Kit (K)	Hinge Cup Size	Door Thickness	Application	
8080 HKEZS	35 mm	3/4"	Inset	
8080 HKEZL	40 mm	3/4"	Overlay	
8080 HKEZF	35 mm	3/4"	Inset - Free Swing	
8085 HKEZT	40 mm	1"	Inset - Thick Door	
8086 HKEZX	40 mm	1-1/4"	Inset - Extra Thick Door	
Ebony Black (EB) Hinges (For Use with 8072)				
Kit (K)	Hinge Cup Size	Door Thickness	Application	
8080 HKEZSEB	35 mm	3/4"	Inset	
8080 HKEZLEB	40 mm	3/4"	Overlay	
8085 HKEZTEB	40 mm	1"	Inset - Thick Door	
8086 HKEZXEB	40 mm	1-1/4"	Inset - Extra Thick Door	
Salice Hinges (For Use with 8071) Nickel Finish (hinge base included)				
Kit (K)	Hinge Cup Size	Door Thickness	Application	
8080 HKS SAL	35 mm	3/4"	Inset	
8080 HKF SAL	35 mm	3/4"	Inset - Free Swing	
8080 HKL SAL	40 mm	3/4"	Overlay	
8086 HKX SAL	40 mm	1-1/4"	Inset - Thick Door	
Salice Hinges (For Use with 8071) Ebony Black (EB) Finish (hinge base included)				
Kit (K)	Hinge Cup Size	Door Thickness	Application	
8080 HKS SAL EB	35 mm	3/4"	Inset	
8080 HKL SAL EB	40 mm	3/4"	Overlay	
8086 HKX SAL EB	40 mm	1-1/4"	Inset - Thick Door	

For additional information on our salice hinge offerings please see page 67.

8080, 8081, 8082 Pivot Door Slides



Features

- Cushioned stops and door hold-out
- Three-way adjustable door hinge

Extension: 8080: 3/4 extension slide with self-close 35mm hinge
 8081: 3/4 extension slide without hinge and base
 8082: 3/4 extension slide with attached hinge base

Mounting: Side

Action: Ball-bearing movement

Load Rating: 30 lb. class

Maximum

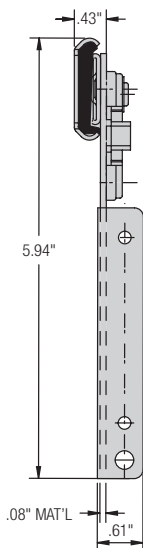
Dimensions: Vertical doors: 42" high x 24" wide
 Horizontal pivot doors: 24" high x 48" wide

Clearance:

Maximum Slide Width Including Hinges		
Type	Standard	Salice
Self-close hinge	1-23/32"	1-21/32"
Free-swing hinge	1-23/32"	1-21/32"
Overlay hinge	1-23/32"	1-7/8"
Thick door hinge	2-3/32"	-
Extra-thick door hinge	2-13/32"	2-5/16"

Finish: Anochrome (ANO) Ebony Black (EB)

Profile:



8090P CR Raised Panel Cassette Roller



Additional protection for raised panel doors

Product	Pack
8090P CR	1 per poly pack with screws; 20 per carton

Configurations



Poly (P)					
1 pair per bag with screws; 10 pairs per carton					
8080EZ Anochrome (ANO)		8081EZ Anochrome (ANO)		8082EZ Anochrome (ANO)	
Includes hinges and bases		No hinges or bases		Hinge base only	
Size	Poly (P)	Size	Poly (P)	Size	Poly (P)
12"	8080PEZ 12	12"	8081PEZ 12	12"	8082PEZ 12
14"	8080PEZ 14	14"	8081PEZ 14	14"	8082PEZ 14
16"	8080PEZ 16	16"	8081PEZ 16	16"	8082PEZ 16
18"	8080PEZ 18	18"	8081PEZ 18	18"	8082PEZ 18
20"	8080PEZ 20	20"	8081PEZ 20	20"	8082PEZ 20
22"	8080PEZ 22	22"	8081PEZ 22	22"	8082PEZ 22
24"	8080PEZ 24	24"	8081PEZ 24	24"	8082PEZ 24
8080EZ Ebony Black (EB)			8082EZ Ebony Black (EB)		
12"	8080PEZ EB 12	-	-	12"	8082PEZ EB 12
14"	8080PEZ EB 14	-	-	14"	8082PEZ EB 14
16"	8080PEZ EB 16	-	-	16"	8082PEZ EB 16
18"	8080PEZ EB 18	-	-	18"	8082PEZ EB 18
20"	8080PEZ EB 20	-	-	20"	8082PEZ EB 20
22"	8080PEZ EB 22	-	-	22"	8082PEZ EB 22
24"	8080PEZ EB 24	-	-	24"	8082PEZ EB 24

Recommended Fasteners	KV Part	Finish	Qty
#6 x 13/32" Phillips Pan Head	1300-83	Zinc (ZC)	1000

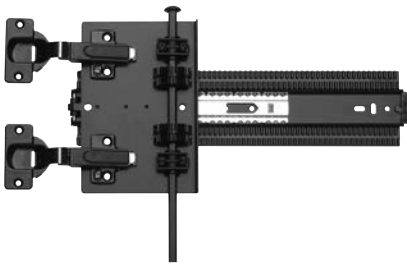
Hinge Kit Options



Hinge Kit (K)			
2 hinges per kit; 10 kits per carton			
Nickel Hinges (For Use with 8082P and 8082Q)			
Kit (K)	Hinge Cup Size	Door Thickness	Application
8080 HKEZS	35 mm	3/4"	Inset
8080 HKEZL	40 mm	3/4"	Overlay
8080 HKEZF	35 mm	3/4"	Inset - Free Swing
8085 HKEZT	40 mm	1"	Inset - Thick Door
8086 HKEZX	40 mm	1-1/4"	Inset - Extra Thick Door
Ebony Black (EB) Hinges (For Use with 8082P and 8082Q)			
Kit (K)	Hinge Cup Size	Door Thickness	Application
8080 HKEZSEB	35 mm	3/4"	Inset
8080 HKEZLEB	40 mm	3/4"	Overlay
8085 HKEZTEB	40 mm	1"	Inset - Thick Door
8086 HKEZXE	40 mm	1-1/4"	Inset - Extra Thick Door
Salice Hinges (For Use with 8081P) Nickel Finish (hinge base included)			
Kit (K)	Hinge Cup Size	Door Thickness	Application
8080 HKS SAL	35 mm	3/4"	Inset
8080 HKF SAL	35 mm	3/4"	Inset - Free Swing
8080 HKL SAL	40 mm	3/4"	Overlay
8086 HKX SAL	40 mm	1-1/4"	Inset - Thick Door
Salice Hinges (For Use with 8081P) Ebony Black (EB) Finish (hinge base included)			
Kit (K)	Hinge Cup Size	Door Thickness	Application
8080 HKS SAL EB	35 mm	3/4"	Inset
8080 HKL SAL EB	40 mm	3/4"	Overlay
8086 HKX SAL EB	40 mm	1-1/4"	Inset - Thick Door

For additional information on our salice hinge offerings please see page 67.

8091, 8092 Pivot Door Slides



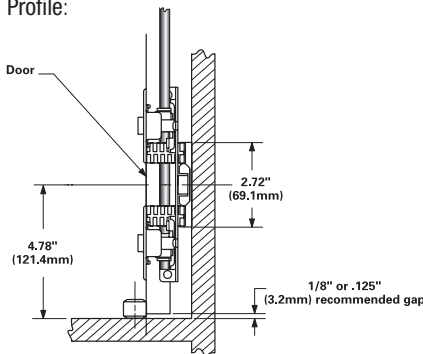
Features

- Rack and pinion design
- Multiple hinge options
- Greatly reduces door sag

8091: Hinge and baseplate not included
 8092: Baseplate attached; hinge must be ordered separately
Mounting: Side
Action: Ball-bearing movement
Load Rating: 75 lb. class
Maximum Dimensions: Vertical doors: 72" high x 26" wide
Clearance:

Maximum Slide Width Including Hinges		
Type	Standard	Salice
Self-close hinge	1-23/32"	1-21/32"
Free-swing hinge	1-23/32"	1-21/32"
Overlay hinge	1-23/32"	1-7/8"
Thick door hinge	2-3/32"	—
Extra-thick door hinge	2-13/32"	2-5/16"

Finish: Ebony Black (EB)
Profile:



8090P CR Raised Panel Cassette Roller



Additional protection for raised panel doors

Product	Pack
8090P CR	1 per poly pack with screws; 20 per carton

Configurations

Poly (P)		1 pair per bag with screws; 1 pair per carton	
8091 Ebony Black (EB)		8092 Ebony Black (EB)	
Size	Poly (P)	Size	Poly (P)
12"	8091SP EB 12	12"	8092SP EB 12
13"	8091SP EB 13	13"	8092SP EB 13
14"	8091SP EB 14	14"	8092SP EB 14
15"	8091SP EB 15	15"	8092SP EB 15
16"	8091SP EB 16	16"	8092SP EB 16
18"	8091SP EB 18	18"	8092SP EB 18
20"	8091SP EB 20	20"	8092SP EB 20
22"	8091SP EB 22	22"	8092SP EB 22
24"	8091SP EB 24	24"	8092SP EB 24
26"	8091SP EB 26	26"	8092SP EB 26
28"	8091SP EB 28	28"	8092SP EB 28
30"	8091SP EB 30	30"	8092SP EB 30

Recommended Fasteners	KV Part	Finish	Qty
#6 x 13/32" Phillips Pan Head	1300-83	Zinc (ZC)	1000

Hinge Kit Options



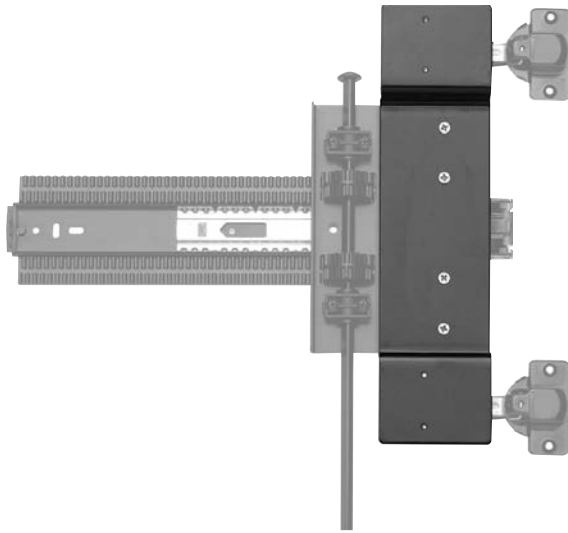
Hinge Kit (K)	2 hinges per kit; 10 kits per carton		
Nickel Hinges (For Use with 8092)			
Kit (K)	Hinge Cup Size	Door Thickness	Application
8080 HKEZS	35 mm	3/4"	Inset
8080 HKEZL	40 mm	3/4"	Overlay
8080 HKEZF	35 mm	3/4"	Inset - Free Swing
8085 HKEZT	40 mm	1"	Inset - Thick Door
8086 HKEZX	40 mm	1-1/4"	Inset - Extra Thick Door
Ebony Black (EB) Hinges (For Use with 8092)			
Kit (K)	Hinge Cup Size	Door Thickness	Application
8080 HKEZSEB	35 mm	3/4"	Inset
8080 HKEZLEB	40 mm	3/4"	Overlay
8085 HKEZTEB	40 mm	1"	Inset - Thick Door
8086 HKEZXE	40 mm	1-1/4"	Inset - Extra Thick Door
Salice Hinges (For Use with 8091) Nickel Finish (hinge base included)			
Kit (K)	Hinge Cup Size	Door Thickness	Application
8080 HKS SAL	35 mm	3/4"	Inset
8080 HKF SAL	35 mm	3/4"	Inset - Free Swing
8080 HKL SAL	40 mm	3/4"	Overlay
8086 HKX SAL	40 mm	1-1/4"	Inset - Thick Door
Salice Hinges (For Use with 8091) Ebony Black (EB) Finish (hinge base included)			
Kit (K)	Hinge Cup Size	Door Thickness	Application
8080 HKS SAL EB	35 mm	3/4"	Inset
8080 HKL SAL EB	40 mm	3/4"	Overlay
8086 HKX SAL EB	40 mm	1-1/4"	Inset - Thick Door

For additional information on our salice hinge offerings please see page 67.

8090B Pinion Shafts for 4x4 Pocket Door Slides

SB Pack (SB) - 1 pair of shafts		Bulk Pack (B) - 10 each
8090B Pinion Shaft Ebony Black (EB) Finish		
Size	Bulk (B)	Quantity
36"	8090B EB 36	10
48"	8090B EB 48	10
72"	8090B EB 72	10
8092SB Pinion Shaft Ebony Black (EB) Finish		
36"	8092SB EB 36	2
48"	8092SB EB 48	2
72"	8092SB EB 72	2

4x4 Pocket Door Full Overlay Kit



Features

- Provides a full door overlay on doors up to .75" thick
- Does not compromise key performance features of 4x4 pocket door system
- Systems for both Mepla and Salice hinges

Mounting: Mounts directly to KV 8091 Series slide

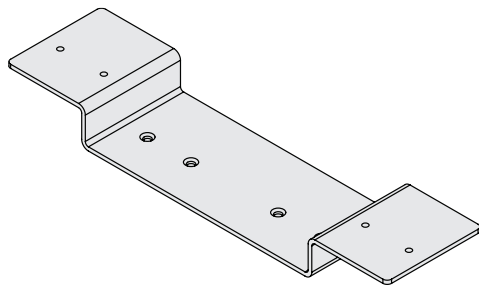
Load Rating: 75 lb. class

Finish: Black

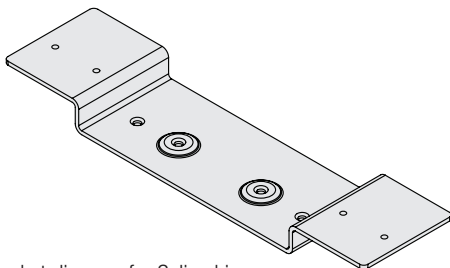
Configurations

	Brackets	Overlay Hinges	Hinge Bases	Hinge Cover Base	Protective Felt Pads	Packed
Poly (P)	Qty: 2	Qty: 4	Qty: 4	Qty: 4	Qty: 4	1 kit/ carton
8091 Full Overlay Pocket Door Kit Black (BLK) Finish						
Poly (P)	Hinge					
8091SFULL34M	Mepla					
8091SFULL34S	Salice					

8091 Full Overlay Pocket Door Kit Black (BLK) Finish		
Door Thickness	Amount of Overlay	Pocket Width
3/4"	3/4"	1-3/4"
13/16"	11/16"	1-13/16"
7/8"	5/8"	1-7/8"
15/16"	9/16"	1-15/16"
1"	1/2"	2"
1-1/16"	7/16"	2-1/16"
1-1/8"	3/8"	2-1/8"
1-3/16"	5/16"	2-3/16"
1-1/4"	1/4"	2-1/4"



Bracket diagram for Mepla hinge

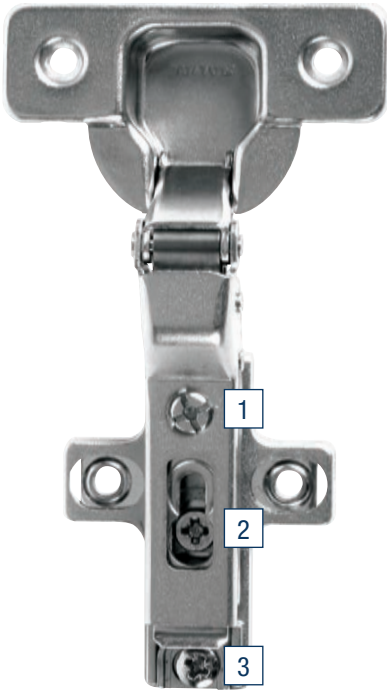


Bracket diagram for Salice hinge

Full Overlay Kit Installation Requirements

- Overlay kits require the use of a KV 8091 series slide
- Overlay kits require the use of a pinion shaft
- Overlay kits require the use of a partition wall within the cabinet

Salice Hinge Kits



1. **Depth Adjustment Cam**
The horizontal (lateral) adjustment range is 6mm.
The depth adjustment range is 3.1 mm (-0.5mm to +2.8mm) for all hinge bases.
2. **Horizontal (Lateral) Adjustment Cam**
The horizontal (lateral) adjustment range is 6mm (-1.5mm to +4.5mm for 35mm cup hinges; -0.5mm to +5.5mm for 40mm cup hinges), while maintaining a constant gap behind the door.
3. **Vertical (Height) Adjustment Cam**
The vertical (height) adjustment range is 4mm (-2mm to +2mm).

Features

- Three-way cam hinges for easy adjustment
- Horizontal, vertical and depth changes can be made without loosening any screws
- Four types of hinges for a variety of application

Clearance: 8080 HKS standard hinge: 1-21/32"
8080 HKF free swing hinge: 1-21/32"
8080 HKL partial overlay hinge: 1-37/64"
8080 HKX extra thick door hinge: 1-37/64"

Finish: Black (BLK), Nickel (NP)

Configurations

Pack Configurations	Hinge Base	Hinges	Screws	Cover Caps
Kit (K) 2 per bag; 10 bags per carton	Yes	Yes	Yes	Yes
Nickel (NP) Finish Salice Hinges for Use with 8071, 8081, 8091 Pocket Door Slides				
Kit (K)	Hinge Cup Size	Door Thickness	Application	
8080 HKS SAL	35 mm	3/4"	Inset	
8080 HKF SAL	35 mm	3/4"	Inset - Free Swing	
8080 HKL SAL	40 mm	3/4"	Overlay	
8086 HKX SAL	40 mm	1-1/4"	Inset - Thick Door	
Black (EB) Finish Salice Hinges for Use with 8071, 8081, 8091 Pocket Door Slides				
Kit (K)	Hinge Cup Size	Door Thickness	Application	
8080 HKS SAL EB	35 mm	3/4"	Inset	
8080 HKL SAL EB	40 mm	3/4"	Overlay	
8086 HKX SAL EB	40 mm	1-1/4"	Inset - Thick Door	



Shelving

Adjustable Wall Shelving Quick Reference Guide 64

Pilaster Shelving Systems 65

255/256 Series Mortise-Mount Pilaster Shelving Systems 65

233/237 Series Surface-Mount Pilaster Shelving System 67

Regular-Duty Adjustable Shelving Systems 68

71/170 Regular-Duty Narrow Standard and Bracket System 68

80/180 Regular-Duty Standard and Bracket System 69

160LL/179/181 Series Specialty Brackets 71

Heavy-Duty Adjustable Shelving Systems 73

82/182 Series Heavy-Duty Standard and Bracket System 73

83/183 Series Heavy-Duty Standard and Bracket System 75

161LL Heavy-Duty Lock Lever Bracket 76

Extra-Duty Adjustable Shelving System 77

85/185 Series Extra-Duty Standard and Bracket System 77

Super-Duty Adjustable Steel Shelving System 79

1987 Series Galvanized Steel Shelving 79

87/186/187 Series Super-Duty Standard and Bracket System 79

1987 Series Stainless Steel Shelving 81

87/186/187 Super-Duty Stainless Steel Standard and Bracket System 81

Built-In Shelving and Shelf Supports 83

5mm Series Shelf Supports 83

5mm Series Vinyl Coated Shelf Supports 83

1/4" Series Shelf Supports 84

5mm Series Grommets 84

1/4" Series Grommets 84

7/32" Series Shelf Supports 84

Utility Shelving Brackets 85

206 Series Extra-Duty Folding L-Bracket 85

208 Series Ultimate L-Bracket 85

221 Series Utility L-Bracket 85

Decorative Shelving Brackets 86

0035 & 0036 Designer Shelf Bracket 86

0117 & 0118 Designer Shelf Bracket 86

215 Series Slim-Line™ Shelf Bracket 86

217 Series Silhouette™ Shelf Bracket 86

200 Series Designer Decorative Shelf Brackets 87

201 Series Premium Decorative Shelf Brackets 89

Shelf Board 91

1980 Series All-Purpose Shelf Board 91

Adjustable Wall Shelving Quick Reference Guide

Knap and Vogt pioneered the development of the modern standards and bracket system of adjustable wall shelving, and we're still the leader in selection, quality and innovation. With one of the industry's widest selection of systems and component accessories, chances are we make a shelving system just right for you. To aid your selection process, we've created a comparison chart that lists the vital characteristics of our standards and bracket systems, as well as available finishes and accessories. If you still have questions or need more details, please contact KV Customer Service.

Part	Description	Features						Finish Options							Pack Options						
		1" Center Adjustment	1-1/4" Center Adjustment	2" Center Adjustment	Single Track	Double Track	Lock Lever	Anochrome (ANO)	Black (BLK)	Brass-look (BR)	Brown (BRN)	Clear (CL)	Stainless Steel (SS)	Galvanized Steel (GALV)	Titanium (TI)	White (WH)	Zinc (ZC)	Economy Zinc (E)	Standard Pack	Builders Pack (BP)	Display Pack (DP)
71/170 Regular-Duty Narrow Adjustable Standard and Bracket System																					
71	Narrow Faced Standard	•			•		•												•		
170	Bracket	•			•		•												•		
80/180 Regular-Duty Adjustable Standard and Bracket System																					
80	Standard	•			•		•	•	•	•				•	•				•	•	
180	Bracket	•			•		•	•	•	•				•	•				•	•	•
181	Lipless Bracket	•			•		•												•		
160LL	Lock Lever Bracket	•			•	•	•												•		
179	Adjustable Angle Bracket	•			•		•												•		
82/182 Heavy-Duty Adjustable Standard and Bracket System																					
82	Standard		•		•		•							•	•				•	•	
182	Bracket		•		•		•							•	•				•	•	
182BE	Bookend		•		•										•				•		
82DP Screw	Screws/Anchors															•					•
182DP LCTR/JNR	Shelf Locator/Joiner									•											•
182DP LOCK	Bracket Lock Tab		•		•		•														•
83/183 Oversized Heavy-Duty Adjustable Standard and Bracket System																					
83	Oversized Standard	•			•		•												•		
183	Flange Bracket	•			•		•												•		
161LL	Lock Lever Bracket	•			•	•	•												•		
85/185 Extra-Duty Adjustable Standard and Bracket System																					
85	Standard	•			•		•								•				•		
185	Bracket	•			•		•								•				•		
106 ANO	Shelf Rest						•												•		
107 ANO	Hang Rod Clamp						•												•		
87/187 Super-Duty Adjustable Standard and Bracket System																					
87	Standard			•	•		•					•			•				•		
186LL	Lock Lever Bracket			•	•	•	•					•			•				•		
187LL	Lock Lever Bracket			•	•	•	•					•			•				•		
1987	Steel Shelves											•	•						•		

255™ /256™ Series Mortise-Mount Pilaster Shelving System

- Holds up to 500 lbs. per shelf*
- 1/2" vertical slot adjustment
- Wide selection of finishes and sizes
- Limited lifetime warranty

255 Series Steel Standards

Dimensions: 5/8" width x 3/16" deep x selected length

Material: 23 gauge high strength steel
20 gauge galvanized steel: Economy Zinc (E) products only

Finish: Almond (ALM), Brass-look (BR), Brown (BRN), White (WH), Zinc (ZC), Economy Zinc (E)

Origin: Made in the USA

Features: Numbered slots for fast, accurate clip insertion; countersunk nail and screw holes; full finish coverage to deter corrosion; precision cut lengths; BHMA Grade 1 Compliant*

Pack Configurations



Standard	12"–60", packed 100 standards per carton; 72"–96", packed 50 standards per carton					
Retail (PK)	20 standards per carton					
255 Steel Standards Standard Pack						
Size	Almond (ALM)	Brass-look (BR)	Brown (BRN)	Economy Zinc (E)	White (WH)	Zinc (ZC)
12"	255 ALM 12	255 BR 12	255 BRN 12	255 E 12	255 WH 12	255 ZC 12
18"	255 ALM 18	255 BR 18	255 BRN 18	–	255 WH 18	255 ZC 18
24"	255 ALM 24	255 BR 24	255 BRN 24	255 E 24	255 WH 24	255 ZC 24
30"	255 ALM 30	–	255 BRN 30	–	255 WH 30	255 ZC 30
36"	255 ALM 36	255 BR 36	255 BRN 36	255 E 36	255 WH 36	255 ZC 36
42"	–	–	–	–	–	255 ZC 42
48"	255 ALM 48	255 BR 48	255 BRN 48	255 E 48	255 WH 48	255 ZC 48
60"	255 ALM 60	255 BR 60	255 BRN 60	255 E 60	255 WH 60	255 ZC 60
72"	255 ALM 72	255 BR 72	255 BRN 72	255 E 72	255 WH 72	255 ZC 72
84"	255 ALM 84	255 BR 84	255 BRN 84	255 E 84	255 WH 84	255 ZC 84
96"	255 ALM 96	255 BR 96	255 BRN 96	255 E 96	255 WH 96	255 ZC 96
255 Steel Standards Retail Pack (PK)						
24"	–	–	–	–	–	PK255 ZC 24
36"	–	PK255 BR 36	–	–	PK255 WH 36	PK255 ZC 36
48"	–	PK255 BR 48	–	–	PK255 WH 48	PK255 ZC 48
60"	–	PK255 BR 60	–	–	PK255 WH 60	PK255 ZC 60
72"	–	PK255 BR 72	–	–	PK255 WH 72	PK255 ZC 72



255 Series Aluminum Standards

Dimensions: 5/8" width x 3/16" deep x selected length

Material: 17 gauge aluminum

Finish: Natural (AL), Brass-look (BR), Brown (BRN), Walnut (WAL)

Origin: Made in the USA

Features: Numbered slots for fast, accurate clip insertion; countersunk nail and screw holes; made of rust resistant aluminum; precision cut lengths; BHMA Grade 3 Compliant*

Pack Configurations



Standard	12"–60", packed 100 standards per carton; 72"–96", packed 50 standards per carton			
255 Aluminum Standards Standard Pack				
Size	Natural (AL)	Brass-look (BR)	Brown (BRN)	Walnut (WAL)
12"	255AL 12	255AL BR 12	255AL BRN 12	255AL WAL 12
18"	255AL 18	255AL BR 18	–	255AL WAL 18
24"	255AL 24	255AL BR 24	255AL BRN 24	255AL WAL 24
30"	255AL 30	255AL BR 30	–	255AL WAL 30
36"	255AL 36	255AL BR 36	255AL BRN 36	255AL WAL 36
48"	255AL 48	255AL BR 48	255AL BRN 48	255AL WAL 48
60"	255AL 60	255AL BR 60	255AL BRN 60	255AL WAL 60
72"	255AL 72	255AL BR 72	255AL BRN 72	255AL WAL 72
84"	255AL 84	255AL BR 84	255AL BRN 84	255AL WAL 84
96"	255AL 96	255AL BR 96	255AL BRN 96	255AL WAL 96



Plated finish products only

☐ Non-stock item – minimum order quantities and additional lead time may apply.

*Standards and brackets meet or exceed ANSI performance standards as established by BHMA testing requirements.

255™ /256™ Series Mortise-Mount Pilaster Shelving System

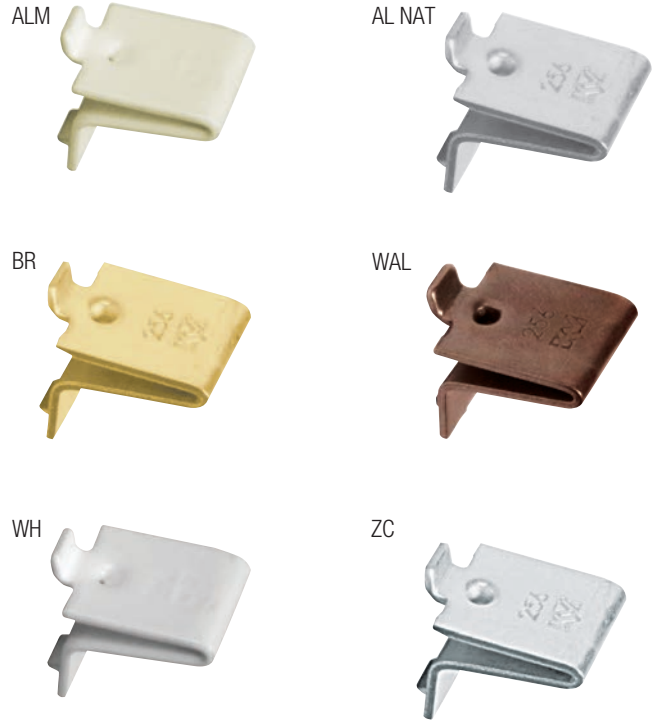
256 Series Pilaster Shelf Support

Material: High-strength steel, Aluminum (AL)
Finish: Almond (ALM), Brass-look (BR), Walnut (WAL), White (WH), Zinc (ZC), Natural Aluminum (AL NAT)
Origin: Made in the USA
Features: Patented design; full coverage finish to resist corrosion; strength increasing dimple



Pack Configurations

Standard Pack	100 pieces per carton			
Bulk (B)	1000 pieces per carton			
Barrel (BBL)	9000 pieces per barrel			
Poly (P)	12 supports and 28 nails per bag; 10 bags per carton			
Warehouse (WP)	12 supports and 28 nails per bag; 50 bags per carton			
256 Shelf Supports Almond (ALM) Finish				
Standard	Bulk (B)	Barrel (BBL)	Poly (P)	Warehouse (WP)
256S ALM	-	-	-	-
256 Shelf Supports Brass-look (BR) Finish				
256 BR	256B BR	256BBL BR	256P BR	-
256 Shelf Supports Walnut (WAL) Finish				
256 WAL	256B WAL	256BBL WAL	-	-
256 Shelf Supports White (WH) Finish				
256S WH	-	-	256S P WH	256S WP WH
256 Shelf Supports Zinc (ZC) Finish				
256 ZC	256B ZC	256BBL ZC	256P ZC	256WP ZC
256 Shelf Supports Natural Aluminum (AL NAT) Finish				
256 AL NAT	-	-	-	-



NOTE: Use 256 WAL with 255 BRN and 255AL WAL

Specialty Pilaster Shelf Supports

Part #: **256R ZC:** Support with Rubber Cushion
239 ZC*: Shelf Support
24276 ZC: Shelf Support with Mounting Hole
243 ZC: 3" Shelf Bracket (non-handed)
244 ANO: Wire Shelf Support
757 ANO: Flange for 1-1/16" OD closet rod

Material: High-strength steel, cold rolled steel
Finish: Anochrome (ANO), Zinc (ZC)
Origin: Made in the USA
Packed: 100 per carton



229 Series Support Bracket

Finish: Anochrome (ANO)
Packed: 25 per carton

229 Bracket	
Size	Anochrome (ANO)
4"	229 ANO 4
6"	229 ANO 6
8"	229 ANO 8
10"	229 ANO 10



☐ Non-stock item – minimum order quantities and additional lead time may apply.



* WoodWork Institute Acknowledged Products

Download at www.kv.com > Resource Library

233™ /237™ Series Surface-Mount Pilaster Shelving System

- Holds up to 500 lbs. per shelf*
- 1/2" vertical slot adjustability
- BHMA Grade 1 Compliant*
- Limited lifetime warranty

233 Surface Mount Steel Pilaster Standards

Dimensions: 13/16" width x 3/16" deep x selected height

Material: 23 gauge high-strength steel

Finish: Brass-look (BR), Steel (STL), Zinc (ZC)

Origin: Made in the USA

Features: Numbered slots for quick, accurate clip insertion; countersunk nail, screw and staple holes; full finish coverage to deter corrosion; precision cut lengths



Pack Configurations

Standard	12"–60" packed 100 standards per carton; 72"–96" packed 50 standards per carton		
233 Series Steel Standards Standard Pack			
Size	Brass-look (BR)	Steel (STL)	Zinc (ZC)
12"	233 BR 12	233 STL 12	233 ZC 12
18"	–	–	233 ZC 18
24"	–	233 STL 24	233 ZC 24
36"	233 BR 36	233 STL 36	233 ZC 36
48"	233 BR 48	233 STL 48	233 ZC 48
60"	233 BR 60	233 STL 60	233 ZC 60
72"	233 BR 72	233 STL 72	233 ZC 72
96"	233 BR 96	233 STL 96	233 ZC 96

Pilaster Shelf Supports

- Part #: **237 ZC:** Shelf support for 233 pilaster
238 ANO: Shelf support with locator tab
242 ANO: Wire shelf support

Finish: Anochrome (ANO), Zinc (ZC)

Featured: Made in the USA

Packed: 100 pieces per carton

Features: Full finish coverage to deter corrosion



Nails for 255 and 233 Series Standards

Pack Configurations

Standard	Approximately 650 nails per bag; 5 bags per carton	
255 and 233 Nails		
Part	Finish	Use with:
255-81N ALM	Almond (ALM)	255 ALM
255-81N BR	Brass-look (BR)	255 BR, 233 BR, 255AL BR
255-81N STB	Bronzed (STB)	255 BRN, 255 AL BRN, 255AL WAL
255-81N WH	White (WH)	255 WH
255-81N ZC	Zinc (ZC)	255 ZC, 233 ZC, 255E, 255AL



☐ Non-stock item – minimum order quantities and additional lead time may apply.

*Standards and brackets meet or exceed ANSI performance standards as established by BHMA testing requirements.

Customer Service: 1.800.253.1561

71™ / 170™ Regular-Duty Standard and Bracket System

71 Series Narrow Standards

Dimensions: 5/16" wide x 13/32" deep x selected height
Material: 13 gauge steel
Finish: Anochrome (ANO)
Origin: Made in the USA
Features: Narrow design to fit between prefabricated wall panels for flush wall mount; countersunk screw holes; center aligned slots and screw holes; precision cut lengths

170 ANO Series Brackets

Material: 14 gauge steel
Finish: Anochrome (ANO)
Origin: Made in the USA
Features: Holds up to 210 lbs. per pair; two locking teeth; shelf retaining lip; stamped wing stabilizer

Pack Configurations

Standard	10 per carton
71 Series Standards	
Size	Anochrome (ANO)
48"	71 ANO 48
60"	71 ANO 60
72"	71 ANO 72
96"	71 ANO 96

Pack Configurations

Standard	10 per carton
170 ANO Series Brackets	
Size	Anochrome (ANO)
10"	170 ANO 10
12"	170 ANO 12
14"	170 ANO 14



☐ Non-stock item – minimum order quantities and additional lead time may apply.

*Standards and brackets meet or exceed ANSI performance standards as established by BHMA testing requirements.

80™ / 180™ Regular-Duty Standard and Bracket System

- Single slot design
- 1" vertical slot adjustability

- BHMA Grade 2 Compliant*
- Limited lifetime warranty

80 Series Standards

Dimensions: 5/8" wide x 13/32" deep x selected length

Material: 16 gauge steel

Finish: Anochrome (ANO), Black (BLK), Brass-look (BR),
Brown (BN), Titanium (TI), White (WH)

Origin: Made in the USA

Features: Countersunk screw holes; safety lead-in at top of standards; embossed "up" and arrow to show correct orientation; center aligned slots and screw holes; precision cut lengths

Pack Configurations



Standard	10 standards per carton, with UPC labels					
Builders Pack (BP)	25 standards per carton, no UPC labels					
80 Series Standards Standard Pack						
Size	Anochrome (ANO)	Black (BLK)	Brown (BN)	Brass-look (BR)	Titanium (TI)	White (WH)
12"	80 ANO 12	80 BLK 12	80 BN 12	80 BR 12	80 TI 12	80 WH 12
18"	80 ANO 18	—	—	—	—	—
24"	80 ANO 24	80 BLK 24	80 BN 24	80 BR 24	80 TI 24	80 WH 24
36"	80 ANO 36	80 BLK 36	80 BN 36	80 BR 36	80 TI 36	80 WH 36
48"	80 ANO 48	80 BLK 48	80 BN 48	80 BR 48	80 TI 48	80 WH 48
60"	80 ANO 60	80 BLK 60	80 BN 60	80 BR 60	80 TI 60	80 WH 60
72"	80 ANO 72	80 BLK 72	80 BN 72	80 BR 72	80 TI 72	80 WH 72
84"	80 ANO 84	—	—	—	—	—
96"	80 ANO 96	80 BLK 96	—	—	—	80 WH 96

80 Series Standards Builder Pack (BP)	
Size	Anochrome (ANO)
24"	80BP ANO 24
36"	80BP ANO 36
48"	80BP ANO 48
60"	80BP ANO 60
72"	80BP ANO 72
84"	80BP ANO 84
96"	80BP ANO 96



☐ Non-stock item – minimum order quantities and additional lead time may apply.

*Standards and brackets meet or exceed ANSI performance standards as established by BHMA testing requirements.

Customer Service: 1.800.253.1561

80™ / 180™ Regular-Duty Standard and Bracket System

180 Series Brackets

- Material:** 14 and 16 gauge steel
Finish: Anochrome (ANO), Black (BLK), Brass-look (BR), Brown (BN), Titanium (TI), White (WH)
Origin: Made in the USA
Features: Holds up to 320 lbs. per pair*; two complete locking teeth; spring steel clip for stability and friction lock; shelf retaining lip



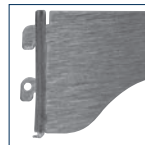
Pack Configurations

Standard	10 brackets per carton with UPC labels attached
Hefty Pack (HP)	40 brackets per display carton, with UPC labels
Builders Pack (BP)	100 brackets per carton, no UPC labels

180 Series Brackets Standard Pack						
Size	Anochrome (ANO)	Black (BLK)	Brown (BN)	Brass-look (BR)	Titanium (TI)	White (WH)
4"	180 ANO 4	180 BLK 4	–	–	–	180 WH 4
6"	180 ANO 6	180 BLK 6	180 BN 6	180 BR 6	180 TI 6	180 WH 6
8"	180 ANO 8	180 BLK 8	180 BN 8	180 BR 8	180 TI 8	180 WH 8
10"	180 ANO 10	180 BLK 10	180 BN 10	180 BR 10	180 TI 10	180 WH 10
12"	180 ANO 12	180 BLK 12	180 BN 12	180 BR 12	180 TI 12	180 WH 12
14"	180 ANO 14	180 BLK 14	–	180 BR 14	–	180 WH 14
16"	180 ANO 16	180 BLK 16	180 BN 16	180 BR 16	180 TI 16	180 WH 16
18"	180 ANO 18	–	–	–	–	180 WH 18
20"	180 ANO 20	–	–	–	–	180 WH 20

180 Series Brackets Hefty Pack (HP)						
6"	–	–	–	–	180HP TI 6	180HP WH 6
8"	180HP ANO 8	180HP BLK 8	–	–	180HP TI 8	180HP WH 8
10"	180HP ANO 10	180HP BLK 10	–	–	180HP TI 10	180HP WH 10
12"	180HP ANO 12	180HP BLK 12	–	–	180HP TI 12	180HP WH 12
16"	180HP ANO 16	180HP BLK 16	–	–	180HP TI 16	180HP WH 16

180 Series Brackets Builders Pack (BP)	
6"	180BP ANO 6
8"	180BP ANO 8
10"	180BP ANO 10
12"	180BP ANO 12
14"	180BP ANO 14
16"	180BP ANO 16
18"	180BP ANO 18



Locking Teeth Side View



Screws and Anchors

- Dimensions:** #6 head, #8 body, 1-1/2" length
Finish: Anochrome (ANO), Black (BLK), Brown (BN), Brass-look (BR), Titanium (TI), White (WH), Zinc (ZC)
Features: For proper installation of 80 series standards

Pack Configurations

Display Pack (DP)	20 poly bags per carton; each poly bag contains 6 screws and 6 screw anchors
Standard Pack	50 screws per pack, no anchors
Bulk Pack	1,000 bulk screws per poly; 6,000 per carton

80 Series Screw Packs						
Pack Type	Anochrome (ANO)	Black (BLK)	Brass-look (BR)	Titanium (TI)	White (WH)	Zinc (ZC)
Display Pack	80-88DP ANO	80-88DP BLK	80-88DP BR	80-88DP TI	80-88DP WH	–
Standard Pack	–	80-80 BLK	80-80 BR	–	80-80 WH	80-80 ZC

■ Non-stock item – minimum order quantities and additional lead time may apply.

*Standards and brackets meet or exceed ANSI performance standards as established by BHMA testing requirements.

80™ /180™ Series Regular-Duty Standard and Bracket System

160LL™ Series Lock Lever Bracket

Material: 14 gauge steel
Finish: Anochrome (ANO)
Origin: Made in the USA
Features: For use with 1" adjustable standards; two locking teeth; lever lock for extra secure mounting and stability; shelf retaining lip

Pack Configurations

Standard	10 per carton, no UPC labels
160 Series Brackets	
Size	Anochrome (ANO)
6"	160LL ANO 6
8"	160LL ANO 8
10"	160LL ANO 10
12"	160LL ANO 12
14"	160LL ANO 14
16"	160LL ANO 16
18"	160LL ANO 18



179™ Series Adjustable Angle Brackets

Material: 14 and 16 gauge steel
Finish: Anochrome (ANO)
Origin: Made in the USA
Features: For use with 1" adjustment standards; two complete locking teeth; shelf retaining lip; spring clip for stability and friction locking; adjust to 15°, 30°, 45° and level

Pack Configurations

Standard	10 per carton, no UPC labels
179 Series Brackets	
Size	Anochrome (ANO)
10"	179 ANO 10
12"	179 ANO 12
14"	179 ANO 14

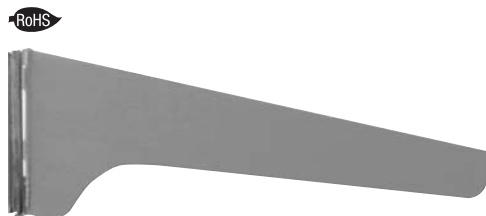


181™ Series Lipless Brackets

Material: 14 and 16 gauge steel
Finish: Anochrome (ANO)
Origin: Made in the USA
Features: For use with 1" adjustment standards; two complete locking teeth; spring clip provides stability and a friction lock; lipless version of the 180 series bracket to allow for easy concealing of the bracket

Pack Configurations

Standard	10 per carton, no UPC labels
181 Series Brackets	
Size	Anochrome (ANO)
8"	181 ANO 8
10"	181 ANO 10
12"	181 ANO 12
14"	181 ANO 14
16"	181 ANO 16



☐ Non-stock item – minimum order quantities and additional lead time may apply.

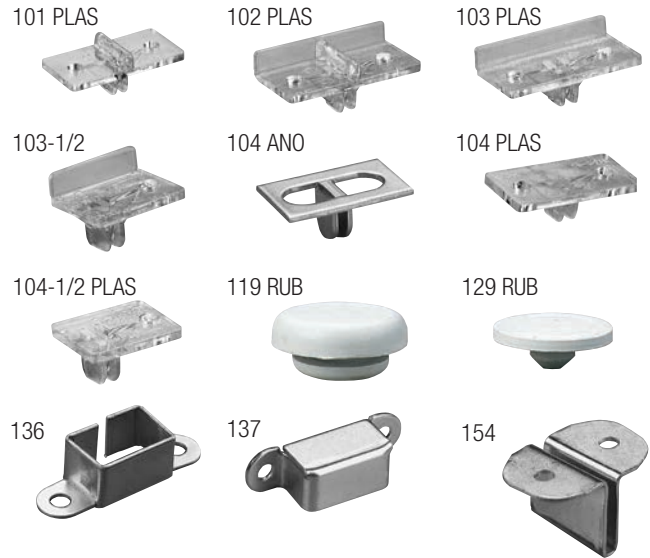
Customer Service: 1.800.253.1561

80™ / 180™ Series Regular-Duty Standard and Bracket System

Accessories

Packed: 100 per carton

-
- 101 PLAS: Clear plastic back rest with divider
 - 102 PLAS: Clear plastic front rest with divider
 - 103 PLAS: Clear plastic front rest
 - 103-1/2L PLAS: Clear plastic front rest left
 - 103-1/2R PLAS: Clear plastic front rest right
 - 104 ANO: Anochrome (ANO) steel back rest
 - 104 PLAS: Clear plastic back rest
 - 104-1/2 PLAS: Clear plastic back rest
 - 119 RUB: Gray rubber cushion use with metal rests
 - 129 RUB: Gray rubber cushion use with plastic rests
 - 136 ANO: Socket-#80 standard bottom socket
 - 137 ANO: Socket-#80 standard top socket
 - 154 ANO: Shelf-fastener (fastens shelf to bracket)



82™ /182™ Series Heavy-Duty Standard and Bracket System

- Double slot design
- 1-1/4" vertical slot adjustability
- BHMA Grade 2 Compliant*
- Limited lifetime warranty

82 Series Standards

Dimensions: 1-1/16" wide x 11/16" deep x selected length

Material: 14 gauge steel

Finish: Black (BLK), Titanium (TI), White (WH)

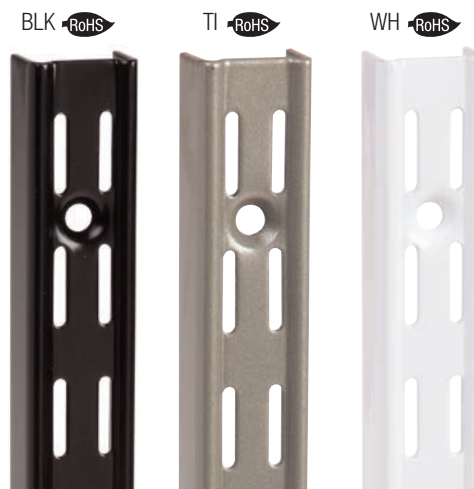
Origin: Made in the USA

Features: Strength enhancing ribs; countersunk screw holes; embossed "up" and arrow to show correct orientation; center aligned slots and screw holes; precision cut lengths

Pack Configurations



Standard	10 standards per carton with UPC labels		
Builders Pack (BP)	10 standards per carton, no UPC labels		
82 Series Standards Standard Pack			
Size	Black (BLK)	Titanium (TI)	White (WH)
16.5"	82 BLK 16.5	82 TI 16.5	82 WH 16.5
28"	82 BLK 28	82 TI 28	82 WH 28
39"	82 BLK 39	82 TI 39	82 WH 39
48"	82 BLK 48	82 TI 48	82 WH 48
63"	82 BLK 63	82 TI 63	82 WH 63
78"	82 BLK 78	82 TI 78	82 WH 78
94"	82 BLK 94	82 TI 94	82 WH 94
82 Series Standards Builders Pack (BP)			
16.5"	82BP BLK 16.5	–	82BP WH 16.5
28"	82BP BLK 28	–	82BP WH 28
39"	82BP BLK 39	–	82BP WH 39
48"	82BP BLK 48	–	82BP WH 48
63"	82BP BLK 63	–	82BP WH 63
78"	82BP BLK 78	–	82BP WH 78
94"	82BP BLK 94	–	82BP WH 94



Accessories

182BE Bookend

Finish: White (WH)
Packed: 10 pairs per carton
Origin: Made in the USA

82 Series Bookend Standard Pack	
Size	White (WH)
7"	182BE WH 7
9"	182BE WH 9
10.5"	182BE WH 10.5

182BE



82DP SCREW ZC



82DP SCREW ZC

Finish: Zinc (ZC)
Packed: 20 bags per carton (6 screws + 6 anchors per bag)

182DP LCTR/JNR Shelf Locator Joiner

Finish: Clear plastic (CL)
Packed: 20 bags per carton (4 joiners + 8 screws per bag)

182DP LCTR/JNR



182DP LOCK



182DP LOCK Bracket Lock

Finish: Black rubber (BLK)
Packed: 20 bags per carton (6 locks per bag)

☐ Non-stock item – minimum order quantities and additional lead time may apply.

*Standards and brackets meet or exceed ANSI performance standards as established by BHMA testing requirements.

82™ /182™ Series Heavy-Duty Standard and Bracket System

182 Series Brackets

Material: 16 gauge steel

Finish: Black (BLK), Titanium (TI), White (WH)

Features: Holds up to 450 lbs. per pair of brackets*; four complete locking teeth; countersunk screw holes to fasten shelves

Pack Configurations



Standard	10 brackets per carton with UPC labels		
Builders Pack (BP)	10 brackets per carton, no UPC labels		
182 Series Brackets Standard Pack			
Size	Black (BLK)	Titanium (TI)	White (WH)
5"	–	–	182 WH 5
7"	182 BLK 7	182 TI 7	182 WH 7
9"	182 BLK 9	182 TI 9	182 WH 9
10.5"	182 BLK 10.5	182 TI 10.5	182 WH 10.5
12.5"	182 BLK 12.5	182 TI 12.5	182 WH 12.5
14.5"	182 BLK 14.5	182 TI 14.5	182 WH 14.5
18.5"	182 BLK 18.5	182 TI 18.5	182 WH 18.5
24"	182 BLK 24	182 TI 24	182 WH 24
182 Series Brackets Builders Pack (BP)			
5"	182BP BLK 5	–	182BP WH 5
7"	182BP BLK 7	–	182BP WH 7
9"	182BP BLK 9	182BP TI 9	182BP WH 9
10.5"	182BP BLK 10.5	182BP TI 10.5	182BP WH 10.5
12.5"	182BP BLK 12.5	182BP TI 12.5	182BP WH 12.5
14.5"	182BP BLK 14.5	182BP TI 14.5	182BP WH 14.5
18.5"	182BP BLK 18.5	182BP TI 18.5	182BP WH 18.5
24"	182BP BLK 24	182BP TI 24	182BP WH 24

BLK



TI



WH



*Standards and brackets meet or exceed ANSI performance standards as established by BHMA testing requirements.

83™ / 183™ Series Heavy-Duty Standard and Bracket System

- Single slot design
- 1" vertical slot adjustability

- BHMA Grade 2 Compliant*
- Limited lifetime warranty

83 Series Oversized Standards

Dimensions: 3/4" wide x 1/2" deep x selected length

Material: 16 gauge steel

Finish: Anochrome (ANO)

Origin: Made in the USA

Features: Safety lead-in at top of standard; embossed logo to show correct orientation; countersunk screw holes; center aligned slots and screw holes; precision cut lengths

Pack Configurations

Standard	10 standards per carton, no UPC labels
83 Series Standards Standard Pack	
Size	Anochrome (ANO)
24"	83 ANO 24
36"	83 ANO 36
48"	83 ANO 48
60"	83 ANO 60
72"	83 ANO 72
84"	83 ANO 84
96"	83 ANO 96



Accessories

113L ANO Left-Hand Anochrome (ANO) Panel Clip

113R ANO Right-Hand Anochrome (ANO) Panel Clip

Finish: Anochrome (ANO)

Origin: Made in the USA

Packed: 50 per carton; Left and right clips packed separately

Application: Used to attach display and wall panels into vertical position



119 RUB Gray rubber cushion for use with 183 series brackets

Packed: 100 per carton



134 ANO Socket-#83 Standard Bottom Socket

135 ANO Socket-#83 Standard Top Socket

Origin: Made in the USA

Packed: 100 per carton



159LL ANO Lock Lever Heavy-Duty Support Bracket

Finish: Anochrome (ANO)

Origin: Made in the USA

Packed: 100 per carton

Benefit: Provides extra support for shelves with heavy loads; lever lock for extra secure mounting and stability



191 ANO Hang Rod Saddle

192 ANO Hang Rod Saddle

Finish: Anochrome (ANO)

Origin: Made in the USA

Packed: 10 per carton

Features: 191 bolts to 183L & 183R or 185 brackets to hold 1-1/16" O.D. tubing

192 bolts to 183L & 183R or 185 brackets to hold 1-5/16" O.D. tubing



*Standards and brackets meet or exceed ANSI performance standards as established by BHMA testing requirements.

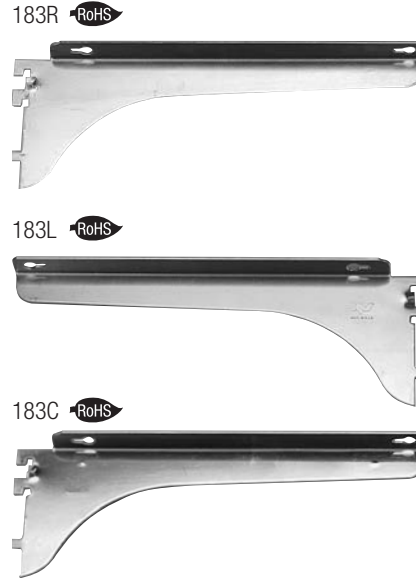
83™ /183™ Series Heavy-Duty Standard and Bracket System

183 Series Brackets

Part #: 183R: Right Flange Bracket
 183L: Left Flange Bracket
 183C: Center Flange Bracket

Material: 16 gauge steel
Finish: Anochrome (ANO)
Origin: Made in the USA

Features: Holds up to 460 lbs. per pair of brackets*; bracket flanges allow for simple attachment to wooden shelves; brackets may also be used with 85 Series Standards for added support on long shelves



Pack Configurations

Standard	10 brackets per carton, no UPC labels		
183 Series Brackets Standard Pack - Anochrome (ANO) Finish			
Size	Right	Left	Center
8"	183R ANO 8	183L ANO 8	183C ANO 8
10"	183R ANO 10	183L ANO 10	183C ANO 10
12"	183R ANO 12	183L ANO 12	183C ANO 12
14"	183R ANO 14	183L ANO 14	183C ANO 14
16"	183R ANO 16	183L ANO 16	183C ANO 16
18"	183R ANO 18	183L ANO 18	183C ANO 18
20"	183R ANO 20	183L ANO 20	183C ANO 20

161LL Lock Lever Bracket

Material: 14 gauge steel
Finish: Anochrome (ANO)
Origin: Made in the USA
Features: Three locking teeth; lever lock for extra secure mounting and stability; for use with 1" adjustable shelving; shelf retaining lip



Pack Configurations

Standard	10 brackets per carton, no UPC labels
161LL Brackets	
Size	Anochrome
14"	161LL ANO 14
16"	161LL ANO 16
18"	161LL ANO 18
20"	161LL ANO 20
24"	161LL ANO 24

*Standards and brackets meet or exceed ANSI performance standards as established by BHMA testing requirements.

85™ /185™ Series Extra-Duty Standard and Bracket System

- Single slot design
- 1" vertical slot adjustability
- BHMA Grade 2 Compliant*
- Limited lifetime warranty

85 Series Standards

Dimensions: 1-1/4" wide x 1/2" deep x selected length
Material: 16 gauge steel
Finish: Anochrome (ANO), White (WH)
Origin: Made in the USA
Features: Safety lead-in at top of standard; embossed logo to show correct orientation; countersunk screw holes; center aligned slots and screw holes; precision cut lengths

Pack Configurations



Standard	10 standards per carton, no UPC labels	
85 Series Standards Standard Pack		
Size	Anochrome (ANO)	White (WH)
24"	85 ANO 24	85 WH 24
36"	85 ANO 36	85 WH 36
48"	85 ANO 48	85 WH 48
60"	85 ANO 60	85 WH 60
72"	85 ANO 72	85 WH 72
84"	85 ANO 84	85 WH 84
96"	85 ANO 96	85 WH 96



Accessories

106 ANO: Shelf Rest

Finish: Anochrome (ANO)
Packed: 100 per carton
Origin: Made in the USA



Application: Used to join two shelves at one bracket

107 ANO: Hang Rod Clamp

Finish: Anochrome (ANO)
Packed: 20 per carton
Origin: Made in the USA



Application: Bolts to 183 and 185 Brackets to hold rods securely

113L ANO: Left-Hand Anochrome (ANO) Panel Clip

113R ANO: Right-Hand Anochrome (ANO) Panel Clip

Finish: Anochrome (ANO)
Packed: 50 per carton; Left and right clips packed separately
Origin: Made in the USA



Application: Used to attach display and wall panels into vertical position

129 RUB: Gray rubber cushion for use with metal and plastic rests

Packed: 100 per carton



159LL ANO: Lock Lever Heavy-Duty Support Bracket

Finish: Anochrome (ANO)
Packed: 100 per carton
Origin: Made in the USA
Benefit: Provides extra support for shelves with heavy loads; lock lever for extra secure mounting and stability



191 ANO: Hang Rod Saddle

192 ANO: Hang Rod Saddle

Finish: Anochrome (ANO)
Packed: 10 per carton
Origin: Made in the USA
Features: 191 bolts to 183L & 183R or 185 brackets to hold 1-1/16" O.D. tubing
 192 bolts to 183L & 183R or 185 brackets to hold 1-5/16" O.D. tubing



*Standards and brackets meet or exceed ANSI performance standards as established by BHMA testing requirements.

85™ /185™ Series Extra-Duty Standard and Bracket System

185 Series Brackets

Material: 14 and 16 gauge steel

Finish: Anochrome (ANO), White (WH)

Origin: Made in the USA

Features: Holds up to 680 lbs. per pair of brackets*; shelf retaining lip on brackets; four locking teeth and two lugs for safety and stability; shelf fastening screw holes

Pack Configurations



Standard	10 brackets per carton, no UPC labels	
185 Series Brackets Standard Pack		
Size	Anochrome (ANO)	White (WH)
8"	185 ANO 8	185 WH 8
10"	185 ANO 10	185 WH 10
12"	185 ANO 12	185 WH 12
14"	185 ANO 14	185 WH 14
16"	185 ANO 16	185 WH 16
18"	185 ANO 18	185 WH 18
20"	185 ANO 20	185 WH 20
22"	185 ANO 22	185 WH 22
24"	185 ANO 24	185 WH 24

NOTE: 180 Anochrome (ANO) brackets and all other KV 1" adjustable brackets can be used with 85 Series double-slotted standards.

ANO 



WH 



*Standards and brackets meet or exceed ANSI performance standards as established by BHMA testing requirements.

87™ /186™ /187™ Series Super-Duty Standard and Bracket System

- Single slot design
- 2" vertical slot adjustability
- Limited lifetime warranty
- BHMA Grade 2 Compliant*

87 Series Standards

Dimensions: 7/8" wide x 11/16" deep x selected height

Material: 12 gauge steel

Finish: Anochrome (ANO), White (WH)

Origin: Made in the USA

Features: Countersunk screw holes; embossed logo to show correct orientation; center aligned slots and screw holes; precision cut lengths

Pack Configurations



Standard	5 per carton, no UPC labels	
87 Series Standards Standard Pack		
Size	Anochrome (ANO)	White (WH)
24"	87 ANO 24	87 WH 24
36"	87 ANO 36	87 WH 36
48"	87 ANO 48	87 WH 48
60"	87 ANO 60	87 WH 60
72"	87 ANO 72	87 WH 72
84"	87 ANO 84	87 WH 84
96"	87 ANO 96	87 WH 96



1987 Series Galvanized Steel Shelving

Material: Galvanized steel

Finish: Galvanized Steel (GALV)

Origin: Made in the USA

Features: Predrilled mounting holes to fasten to brackets



Pack Configurations

Standard	5 per carton; except 20" x 32": 3 per carton
1987 Series Shelving Standard Pack	
Size	Galvanized (GALV)
8" x 32"	1987 GALV 8X32
10" x 32"	1987 GALV 10X32
12" x 32"	1987 GALV 12X32
16" x 32"	1987 GALV 16X32
20" x 32"	1987 GALV 20X32

*Standards and brackets meet or exceed ANSI performance standards as established by BHMA testing requirements.

87™ /186™ /187™ Series Super-Duty Standard and Bracket System

186LL and 187LL Series Lock Lever Brackets

Material: 12 gauge steel
Finish: Anochrome (ANO), White (WH)
Origin: Made in the USA
Features: Holds up to 1,060 lbs. per pair of brackets*; utilizes an easy-to-install unique cam lock that secures brackets to the standard; two or three complete locking teeth; predrilled holes for mounting 1987 Series shelves or attaching shelf rests



Pack Configurations

Standard	10 per carton, no UPC labels	
186 Series Brackets Standard Pack		
Size	Anochrome (ANO)	White (WH)
8"	186LL ANO 8	186LL WH 8
10"	186LL ANO 10	186LL WH 10
187 Series Brackets Standard Pack		
12"	187LL ANO 12	187LL WH 12
14"	187LL ANO 14	187LL WH 14
16"	187LL ANO 16	187LL WH 16
18"	187LL ANO 18	187LL WH 18
20"	187LL ANO 20	187LL WH 20
22"	187LL ANO 22	187LL WH 22
24"	187LL ANO 24	187LL WH 24



Accessories

87-10 WH 100

Sizes: #10 x 2-3/4" screw
Finish: White (WH)
Packed: 100 per bag



119 RUB: Gray rubber cushion for use with metal rests

Packed: 100 per carton

Recommended for use when supporting glass shelves



129 RUB: Gray rubber cushion for use with metal and plastic rests

Packed: 100 per carton

Recommended for use when supporting glass shelves

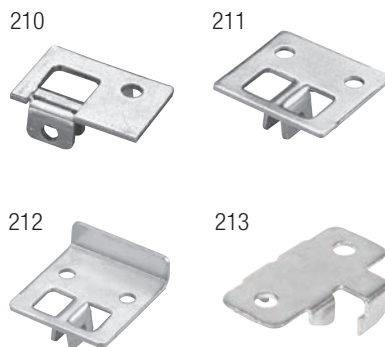


- 210 ANO: Anochrome (ANO) End Rest with screw
- 210 WH: White (WH) End Rest with screw
- 211 ANO: Anochrome (ANO) Center Rest with screw
- 211 WH: White (WH) Center Rest with screw
- 212 ANO: Anochrome (ANO) Front Rest with screw
- 212 WH: White (WH) Front Rest with screw
- 213C ZC: Zinc (ZC) Snap-In Center Rest

Finish: Anochrome (ANO), White (WH), Zinc (ZC)

Packed: 100 per carton

Recommended for use with 186 and 187 Series Brackets for anchoring shelf to brackets to shelves



*Standards and brackets meet or exceed ANSI performance standards as established by BHMA testing requirements.

87™ /186™ /187™ Super-Duty Stainless Steel Standard and Bracket System

- Single slot design
- 2" vertical slot adjustability
- Limited lifetime warranty
- BHMA Grade 2 Compliant*

87 Series Standards

Dimensions: 7/8" wide x 11/16" deep
Material: 14 gauge, 304 grade stainless steel
Finish: Stainless Steel (SS)

Origin: Made in the USA
Features: Countersunk screw holes; center aligned slots and screw holes; precision cut lengths

Pack Configurations



Standard	5 per carton, no UPC labels
87 Series Standards Standard Pack	
Size	Stainless Steel (SS)
24"	87 SS 24
36"	87 SS 36
48"	87 SS 48
60"	87 SS 60
72"	87 SS 72



1987 Series Stainless Steel Shelving

Material: 14 gauge, 304 grade stainless steel
Finish: Stainless Steel (SS) with brushed finish
Origin: Made in the USA
Features: Predrilled mounting holes to fasten to brackets; shelves are shipped with protective vinyl wrap



Pack Configurations

Standard	5 per carton; except 20" x 32": 3 per carton
1987 Series Stainless Steel Shelving Standard Pack	
Size	Stainless Steel (SS)
8" x 32"	1987 SS 8X32
10" x 32"	1987 SS 10X32
12" x 32"	1987 SS 12X32
16" x 32"	1987 SS 16X32
20" x 32"	1987 SS 20X32

*Standards and brackets meet or exceed ANSI performance standards as established by BHMA testing requirements.

87™ /186™ /187™ Super-Duty Stainless Steel Standard and Bracket System

186LL and 187LL Series Stainless Steel Lock Lever Brackets

- Material:** 14 gauge 304 grade stainless steel
Finish: Brushed Stainless Steel (SS)
Origin: Made in the USA
Features: Holds up to 560 lbs. per pair of brackets*; lever lock for easy installation, stability and safety; predrilled holes for mounting 1987 Series shelves or attaching shelf rests; two or three complete locking teeth



Pack Configurations

Standard	10 per carton, no UPC labels
186 Series Brackets Standard Pack	
Size	Stainless Steel (SS)
8"	186LL SS 8
10"	186LL SS 10
187 Series Brackets Standard Pack	
12"	187LL SS 12
14"	187LL SS 14
16"	187LL SS 16
18"	187LL SS 18
20"	187LL SS 20
24"	187LL SS 24

NOTE: Stainless Steel brackets do not work with 87 steel standards.

186LL SS



187LL SS



□ Non-stock item – minimum order quantities and additional lead time may apply.

*Standards and brackets meet or exceed ANSI performance standards as established by BHMA testing requirements.

5mm Shelf Supports for Built-In Shelving

326 ANO and 326 BR Grommets

Grommet Diameter: For 7/32" (5.556mm) holes
Pin Diameter: Designed for 5mm pin diameters
Finish: Anochrome (ANO), Brass-look (BR)
Packed: 1000 per bag, 4 bags per carton



339 WH Plastic Locking Shelf Support for 3/4" Shelves

Pin Diameter: Designed for 5mm holes
Pin Length: 1/4"
Finish: White (WH)
Packed: 100 per bag, 25 bags per carton



330 ANO Shelf Supports

Pin Diameter: Designed for 5mm holes
Finish: Anochrome (ANO)
Packed: 2000 per bag, 4 bags per carton



340 WH Plastic Locking Shelf Supports for 1" Shelves

Pin Diameter: Designed for 5mm holes
Pin Length: 1/4"
Finish: White (WH)
Packed: 100 per bag, 5 bags per carton



332 ANO and 332 BR Shelf Supports

Pin Diameter: Designed for 5mm holes
Pin Length: 5/16" (8mm)
Shelf Rest: 5/16" (8mm) wide x 7/16" (11mm) long
Finish: Anochrome (ANO), Brass-look (BR)
Packed: 1000 per bag, 4 bags per carton



345 Series Metal Shelf Pins*

Pin Diameter: Designed for 5mm holes
Pin Length: 5/16" (8mm)
Shelf Rest: 1/2" (13mm) wide x 11/16" (17mm) long
Finish: Nickel Plated (NP), Brass-Look (BR), Walnut (WAL)



338 Series Plastic Shelf Support Pins

Pin Diameter: Designed for 5mm holes
Pin Length: 5/16" (8mm)
Shelf Rest: 7/16" (11mm) wide x 13/32" (10mm) long
Finish: Almond (ALM), Brown (BRN), Clear Plastic (CL), White (WH)



Pack Configurations

Standard	100 pieces per carton		
Poly (P)	12 supports per bag; 10 bags per carton		
345 Series Shelf Support			
Pack Configuration	Nickel Plated (NP)	Brass-Look (BR)	Walnut (WAL)
Standard Pack	345 NP	345 BR	345 WAL
Poly (P) Pack	345P NP	—	—

Pack Configurations

Standard	100 pieces per carton	
Poly (P)	12 supports per bag; 10 bags per carton	
338 Series Shelf Support		
Pack Configuration	Clear Plastic (CL)	White (WH)
Standard Pack	338 CL	338 WH
Poly (P) Pack	338P CL	—

348 ALM, 348 BRN and 348 WH Vinyl Coated Shelf Supports

Pin Diameter: Designed for 5mm holes; use 13/64" diameter drill bit
Pin Length: 5/16" (8mm)
Shelf Rest: 1/2" (13mm) wide x 11/16" (17mm) long
Finish: Almond (ALM), Brown (BRN), White (WH)
Packed: 1000 pieces per carton



1/4" and 7/32" Shelf Supports and Grommets

325 ANO and 325 BR Grommets

Grommet Diameter: For 9/32" (7.143mm) holes
Pin Diameter: Designed for 1/4" pin diameters
Finish: Anochrome (ANO), Brass-look (BR)
Packed: 1000 per bag, 4 bags per carton



333 ZC Shelf Supports

Pin Diameter: Designed for 7/32" holes; use 15/64" diameter drill
Pin Length: 1/2" (13mm)
Shelf Rest: 9/16" (14mm) wide x 7/16" (11mm) long
Finish: Zinc (ZC)
Packed: 1000 per carton



331 ANO and 331 BR Shelf Supports

Pin Diameter: Designed for 1/4" holes
Pin Length: 3/8" (9mm)
Shelf Rests: 3/8" (9mm) wide x 1/2" (13mm) long
Finish: Anochrome (ANO), Brass-look (BR)
Packed: 1000 per bag, 4 bags per carton



335 Series Plastic Shelf Support Pins

Pin Diameter: Designed for 1/4" holes
Pin Length: 7/16" (11mm)
Shelf Rest: 1/2" (13mm) wide x 17/32" (14mm) long
Finish: Clear Plastic (CL), Plastic (PLAS), White (WH)



Pack Configurations

Standard	10 pieces per carton
Poly (P)	12 supports per bag; 10 bags per carton
335 Series Shelf Support	
Pack Configuration	Clear Plastic (CL) Plastic (PLAS) White (WH)
Standard Pack	335 CL 335 PLAS 335 WH
Poly (P) Pack	335P CL 335P PLAS 335P WH

346 Series Metal Shelf Pins*

Pin Diameter: Designed for 1/4" holes
Pin Length: 3/8" (9mm)
Shelf Rest: 1/2" (13mm) wide x 11/16" (17mm) long
Finish: Anochrome (ANO), Brass-Look (BR), Walnut (WAL)



Pack Configurations

Standard	100 pieces per carton
Poly (P)	12 supports per bag; 10 bags per carton
346 Series Shelf Support	
Pack Configuration	Anochrome (ANO) Brass-Look (BR) Walnut (WAL)
Standard Pack	346 ANO 346 BR 346 WAL
Poly (P) Pack	346P ANO 346P BR 346P WAL

Utility Shelving Brackets

206 Series Extra-Duty Folding L-Bracket

Finish: Zinc (ZC), White (WH)

Features: Holds up to 750 lbs. per pair*; 4 adjustable positions: 90°, 80°, 70°, and 0° (closed position)**; all steel construction with spring-loaded release lever; predrilled screw holes in top of bracket for easy fastening to wood shelves; BHMA Grade 2 Compliant*

Pack Configurations

Standard	10 per display carton with UPC labels attached	
206 Series Folding L-Brackets		
Size	Zinc (ZC)	White (WH)
12"	206 ZC 12	206 WH 12
16"	206 ZC 16	206 WH 16

**Angle has a tolerance of +1°. May need to shim for level installations.

206 ZC



206 WH



208 Series Ultimate L-Bracket

Finish: Black (BLK), Titanium (TI), White (WH)

Features: Holds up to 1,200 lbs. per pair*; super-duty bracket; corrosion resistant Epoxy-Coated finish; 5mm steel bar and 3/4" steel strut; BHMA Grade 2 Compliant*

Pack Configurations

Standard	10 per display carton with UPC labels		
208 Series Bracket			
Size	Black (BLK)	Titanium (TI)	White (WH)
300mm	208 BLK 300	208 TI 300	208 WH 300
400mm	208 BLK 400	208 TI 400	208 WH 400
500mm	208 BLK 500	208 TI 500	208 WH 500
550mm	208 BLK 550	208 TI 550	208 WH 550

208 BLK



208 TI



208 WH



221 Series Utility L-Bracket

Finish: Gray (GRY), White (WH)

Features: Holds up to 120 lbs. per pair*; regular-duty bracket; durable powder coat finish

Pack Configurations

Standard	20 per carton with UPC labels	
221 Series Bracket		
Size	Gray (GRY)	White (WH)
5" x 6"	221 GRY 5X6	221 WH 5X6
6" x 8"	221 GRY 6X8	221 WH 6X8
8" x 10"	221 GRY 8X10	221 WH 8X10
10" x 12"	221 GRY 10X12	221 WH 10X12
12" x 14"	221 GRY 12X14	221 WH 12X14

221 WH



221 GRY

*Standards and brackets meet or exceed ANSI performance standards as established by BHMA testing requirements.

Decorative Shelf Brackets

0117 & 0118 Designer Shelf Bracket

Finish: White (WH)

Features: Metal brackets with color covers

Pack Configurations

Standard	5 per display carton with UPC labels	
0117 Designer Shelf Bracket		
Size	White (WT)	
24"	0117-24WT	
36"	0117-36WT	
48"	0117-48WT	
0118 Designer Shelf Bracket		
24"	0118-24WT	

0117

0118



215 Series Slim-Line™ Shelf Bracket

Finish: Black (BLK), White (WH)

Features: BHMA Grade 2 Compliant*; accented with decorative plastic trim that hides mounting hardware

Pack Configurations

Special Pack	10 per carton (all sizes)	
215 Series Bracket Special Pack (SP)		
8"	215SP BLK 8	215SP WH 8
10"	215SP BLK 10	215SP WH 10
12"	215SP BLK 12	215SP WH 12

BLK

WH



0035 & 0036 Designer Shelf Bracket

Finish: Black (BLK), White (WH)

Features: BHMA Grade 2 Compliant*; heavy-duty steel; accented with decorative plastic trim that hides mounting hardware. Metal brackets with color covers

Pack Configurations

Standard	10 per display carton with UPC labels	
0035 & 0036 Designer Shelf Bracket		
Size	Black (BLK)	White (WT)
6"	BK-0035-BK	BK-0035-WT
8"	BK-0036-BK	BK-0036-WT

BLK

WH



217 Series Silhouette™ Shelf Bracket

Finish: Black (BLK), White (WH)

Features: BHMA Grade 2 Compliant*; heavy-duty steel; center rib for superior strength; countersunk screw holes

Pack Configurations

Special Pack	10 per carton (all sizes)	
217 Series Bracket Special Pack (SP)		
8"	217SP BLK 8	217SP WH 8
10"	217SP BLK 10	217SP WH 10
12"	217SP BLK 12	217SP WH 12

BLK

WH



*Standards and brackets meet or exceed ANSI performance standards as established by BHMA testing requirements.

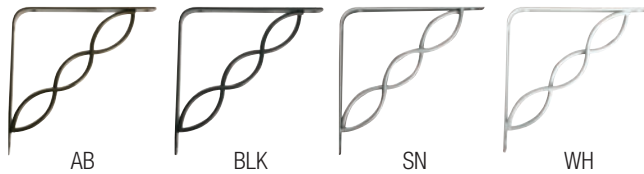
200 Series Designer Decorative Shelf Brackets

Concord 200C Series Decorative Brackets

Finish: Antique Bronze (AB), Black (BLK), Satin Nickel (SN), White (WH)
Features: Holds up to 50 lbs. per pair*; BHMA Grade 1 Compliant*; distinct traditional styles fit any decor; screw holes for easy mounting; 6" size for 6"–8" deep shelves; 8" size for 8"–12" shelves

Pack Configurations

Standard	10 carded pieces per carton			
200C Series Concord Decorative Shelf Bracket				
Size	Antique Bronze (AB)	Black (BLK)	Satin Nickel (SN)	White (WH)
6"	200C AB 6	200C BLK 6	200C SN 6	200C WH 6
8"	200C AB 8	200C BLK 8	200C SN 8	200C WH 8

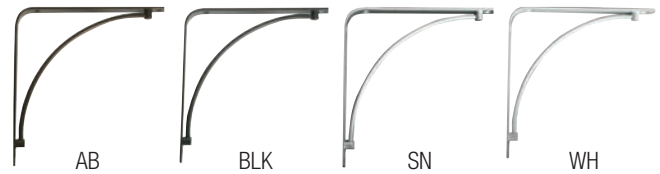


Manchester 200M Series Decorative Brackets

Finish: Antique Bronze (AB), Black (BLK), Satin Nickel (SN), White (WH)
Features: Holds up to 50 lbs. per pair*; BHMA Grade 1 Compliant*; distinct traditional styles fit any decor; screw holes for easy mounting; 6" size for 6"–8" deep shelves; 8" size for 8"–12" shelves

Pack Configurations

Standard	10 carded pieces per carton			
200M Series Manchester Decorative Shelf Bracket				
Size	Antique Bronze (AB)	Black (BLK)	Satin Nickel (SN)	White (WH)
6"	200M AB 6	200M BLK 6	200M SN 6	200M WH 6
8"	200M AB 8	200M BLK 8	200M SN 8	200M WH 8

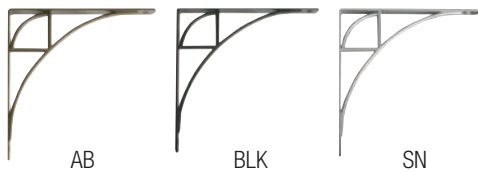


Oak Park 200OP Series Decorative Brackets

Finish: Antique Bronze (AB), Black (BLK), Satin Nickel (SN)
Features: Holds up to 100 lbs. per pair*; BHMA Grade 1 Compliant*; distinct contemporary styles fit any decor; screw holes for easy mounting; 8" size for 8"–12" shelves; cast zinc insets

Pack Configurations

Standard	10 carded pieces per carton		
200OP Series Oak Park Decorative Shelf Bracket			
Size	Antique Bronze (AB)	Black (BLK)	Satin Nickel (SN)
8"	200OP AB 8	200OP BLK 8	200OP SN 8

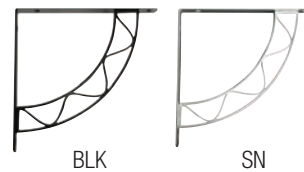


Stockton 200S Series Decorative Brackets

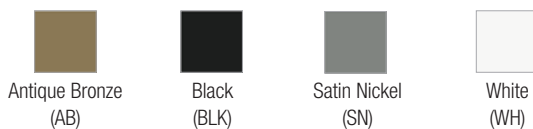
Finish: Black (BLK), Satin Nickel (SN)
Features: Holds up to 100 lbs. per pair*; BHMA Grade 1 Compliant*; distinct contemporary styles fit any decor; screw holes for easy mounting; 8" size for 8"–12" shelves; cast zinc insets

Pack Configurations

Standard	10 carded pieces per carton	
200S Series Stockton Decorative Shelf Bracket		
Size	Black (BLK)	Satin Nickel (SN)
8"	200S BLK 8	200S SN 8



Finish:



*Standards and brackets meet or exceed ANSI performance standards as established by BHMA testing requirements.

200 Series Designer Decorative Shelf Brackets

Baton Rouge 200BR Series Decorative Brackets

Finish: Antique Bronze (AB), Black (BLK), Satin Nickel (SN)

Features: Holds up to 200 lbs. per pair*; BHMA Grade 2 Compliant*; distinct elegant styles fit any decor; screw holes for easy mounting; 8" size for 8"–12" shelves; cast zinc insets

Charleston 200CH Series Decorative Brackets

Finish: Black (BLK), Satin Nickel (SN)

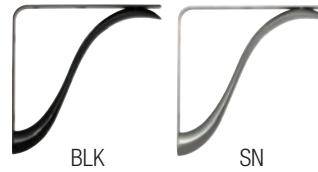
Features: Holds up to 200 lbs. per pair*; BHMA Grade 2 Compliant*; distinct elegant styles fit any decor; screw holes for easy mounting; 8" size for 8"–12" shelves; cast zinc insets

Pack Configurations

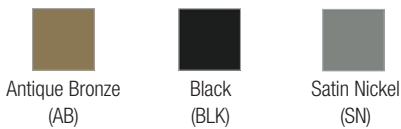
Standard	10 carded pieces per carton		
200BR Series Baton Rouge Decorative Shelf Bracket			
Size	Antique Bronze (AB)	Black (BLK)	Satin Nickel (SN)
8"	200BR AB 8	200BR BLK 8	200BR SN 8

Pack Configurations

Standard	10 carded pieces per carton	
200CH Series Charleston Decorative Shelf Bracket		
Size	Black (BLK)	Satin Nickel (SN)
8"	200CH BLK 8	200CH SN 8



Finish:



*Standards and brackets meet or exceed ANSI performance standards as established by BHMA testing requirements.

201 Series Premium Decorative Shelf Brackets

Richland 201RC Series Decorative Brackets

Finish: Black (BK), Bronze (BRZ)

Features: Holds up to 500 lbs. per pair*; BHMA Grade 1 Compliant*; distinct styles fit any decor; screw holes for easy mounting; 8" size for 8"–12" deep shelves; 12" size for 12"–16" deep shelves

Pack Configurations

Standard	8 brackets with screws	
201RC Series Richland Decorative Shelf Bracket		
Size	Black (BK)	Bronze (BRZ)
8"	RP-201RC-8BK	RP-201RC-8BRZ
12"	RP-201RC-12BK	RP-201RC-12BRZ



Manhattan 201MN Series Decorative Brackets

Finish: Black (BK), Bronze (BRZ), Satin Nickel (SN)

Features: Holds up to 500 lbs. per pair*; BHMA Grade 1 Compliant*; distinct styles fit any decor; screw holes for easy mounting; 8" size for 8"–12" deep shelves; 12" size for 12"–16" deep shelves

Pack Configurations

Standard	8 brackets with screws		
201MN Series Manhattan Decorative Shelf Bracket			
Size	Black (BK)	Bronze (BRZ)	Satin Nickel (SN)
8"	RP-201MN-8BK	RP-201MN-8BRZ	RP-201MN-8BSN
12"	RP-201MN-12BK	RP-201MN-12BRZ	RP-201MN-12SN



Heartland 201HR Series Decorative Brackets

Finish: Anthracite (ANT), Black (BK), Bronze (BRZ)

Features: Holds up to 50 lbs. per pair*; BHMA Grade 1 Compliant*; distinct styles fit any decor; screw holes for easy mounting; 6" x 8" size for 6"–12" deep shelves; 8" x 10" size for 8"–14" deep shelves

Pack Configurations

Standard	8 brackets with screws		
201HR Series Heartland Decorative Shelf Bracket			
Size	Black (BK)	Bronze (BRZ)	Anthracite (ANT)
6" x 8"	RP-201HR-68BK	RP-201HR-68BRZ	RP-201HR-68BANT
8" x 10"	RP-201HR-810BK	RP-201HR-810BRZ	RP-201HR-810ANT



Silverston 201SL Series Decorative Brackets

Finish: Black (BK)

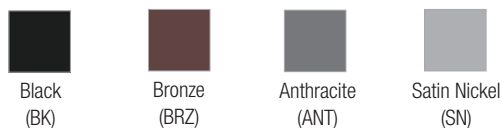
Features: Holds up to 75 lbs. per pair*; BHMA Grade 1 Compliant*; distinct styles fit any decor; screw holes for easy mounting; 10" size for 9.75" deep shelves; 12" size for 11.75" deep shelves

Pack Configurations

Standard	8 brackets with screws
201SL Series Manhattan Decorative Shelf Bracket	
Size	Black (BK)
10"	RP-201SL-10BK
12"	RP-201SL-12BK



Finish:



*Standards and brackets meet or exceed ANSI performance standards as established by BHMA testing requirements.

201 Series Premium Decorative Shelf Brackets

Lewiston 201LW Series Decorative Brackets

Finish: Black (BK), Satin Gold (SG), Satin Nickel (SN)
Features: Holds up to 100 lbs. per pair*; BHMA Grade 1 Compliant*; distinct styles fit any decor; screw holes for easy mounting; 8" size for 8"–12" deep shelves; 12" size for 12"–16" deep shelves

Pack Configurations

Standard	8 brackets with screws		
201LW Series Lewiston Decorative Shelf Bracket			
Size	Black (BK)	Satin Gold (SG)	Satin Nickel (SN)
8"	RP-201LW-8BK	RP-201LW-8SG	RP-201LW-8SN
12"	RP-201LW-12BK	RP-201LW-12SG	RP-201LW-12SN



Pittsburgh 201MN Series Decorative Brackets

Finish: Black (BK), Bronze (BRZ), Satin Nickel (SN)
Features: Holds up to 500 lbs. per pair*; BHMA Grade 1 Compliant*; distinct styles fit any decor; screw holes for easy mounting; 8" size for 0.625" thick x 7.95" deep shelves; 12" size for 0.625" thick by 11.95" deep shelves; sold in pairs

Pack Configurations

Standard	10 pairs of brackets with screws		
201MN Series Pittsburgh Decorative Shelf Bracket			
Size	Black (BK)	Bronze (BRZ)	Satin Nickel (SN)
8"	RP-201PT-8BK	RP-201PT-8BRZ	RP-201PT-8SN
12"	RP-201PT-12BK	RP-201PT-12BRZ	RP-201PT-12SN



Finish:



Black (BK)



Bronze (BRZ)



Satin Nickel (SN)



Satin Gold (SG)

*Standards and brackets meet or exceed ANSI performance standards as established by BHMA testing requirements.

Shelf Board

1980 Series All-Purpose Shelf Board

Finish: Diamond Ash (DA), Espresso (ESP), Maple (MPL), Oak (OK), Walnut (W), White (WH)

Origin: Made in China

Features: Holds up to 200 lbs. when properly installed; 5/8" thick with square corners; scratch and stain resistant for long life; easy to clean surface



Pack Configurations

Standard	5 per carton, with the exception: 12" x 72" packed 3 per carton					
1980 Series Shelving Standard Pack						
Size	Diamond Ash (DA)	Espresso (ESP)	Maple (MPL)	Oak (OK)	Walnut (W)	White (WH)
8" x 24"	1980 DA 8X24	1980 ESP 8X24	1980 MPL 8X24	1980 OK 8X24	1980 W 8X24	1980 WH 8X24
8" x 36"	1980 DA 8X36	1980 ESP 8X36	1980 MPL 8X36	1980 OK 8X36	1980 W 8X36	1980 WH 8X36
8" x 48"	1980 DA 8X48	1980 ESP 8X48	1980 MPL 8X48	1980 OK 8X48	1980 W 8X48	1980 WH 8X48
10" x 24"	1980 DA 10X24	1980 ESP 10X24	1980 MPL 10X24	1980 OK 10X24	1980 W 10X24	1980 WH 10X24
10" x 36"	1980 DA 10X36	1980 ESP 10X36	1980 MPL 10X36	1980 OK 10X36	1980 W 10X36	1980 WH 10X36
10" x 48"	1980 DA 10X48	1980 ESP 10X48	1980 MPL 10X48	1980 OK 10X48	1980 W 10X48	1980 WH 10X48
12" x 24"	1980 DA 12X24	1980 ESP 12X24	1980 MPL 12X24	1980 OK 12X24	1980 W 12X24	1980 WH 12X24
12" x 36"	1980 DA 12X36	1980 ESP 12X36	1980 MPL 12X36	1980 OK 12X36	1980 W 12X36	1980 WH 12X36
12" x 48"	1980 DA 12X48	1980 ESP 12X48	1980 MPL 12X48	1980 OK 12X48	1980 W 12X48	1980 WH 12X48
12" x 72"	–	–	–	–	–	1980 WH 12X72



Closet and Specialty Hardware

Door & Mirror Hardware	93	Closet Rods	103
Magnetic and Bullet Catches	93	660 Series Heavy-Duty Round Closet Rods	103
Sliding Door Pulls.	93	750 Series Heavy-Duty Round Closet Rods	103
Mirror Clips/Glass Clips, Fittings and Latches	94	770 Series Extra-Duty Round Closet Rods.	103
		Round Closet Rod Mounting Flanges and Accessories	104
Drawer Accessories	95	880 Series Extra-Duty Oval Closet Rods	105
Index Followers	95	Adjustable Closet Rods.	106
Label Holders	95	Closet Brackets.	107
Locks	95	Closet Shelf Brackets.	107
Pulls	95	Closet Rods and Shelf Brackets	108
Cabinet Hardware	96	Closet Storage Aids.	110
Fasteners	96	Utility Hooks	110
Hinges.	96	Coat and Hat Hook.	110
Sliding Door Hardware	97	Hang Rod	111
Glass Door Locks.	97	Clothing Carrier	111
Door Rollers.	97	Towel Bar	111
Sheaves	98		
Plastic Tracks and Guides	99		
Plastic Door Track Packaged Assemblies	99		
Steel Tracks and Guides.	100		
Roll-Ezy Ball-Bearing Track Systems	101		
Roll-Ezy Aluminum Track Systems	102		

Magnetic and Bullet Catches

Magnetic Catches

918 ALUM Heavy-Duty Aluminum Magnetic Catch

Size: 2-1/16" width x 1" depth x 3/4" tall
 Finish: Aluminum (ALUM)
 Packed: 10 per carton, packed in a clear envelope with screws

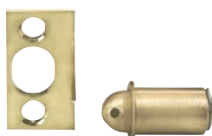
Pull Strength: 7 lbs.



Bullet Catches

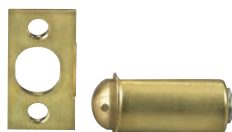
903 BR DIP Adjustable Brass Catch

Size: 3/8" diameter; 5/8" long;
 9/16" x 1-1/16" diameter strike
 Finish: Brass-look (BR)
 Packed: 100 per carton



905 BR DIP Adjustable Brass-look Catch

Size: 1/2" diameter; 1-1/32" long;
 5/8" x 1-1/4" diameter strike
 Finish: Brass-look (BR)
 Packed: 50 per carton with screws



Sliding Door Pulls

Knob Pulls

813 ANO Oval Flush Finger Pull*

Size: Over-flange 3/16" x 2-7/8"
 Bore 51/64" x 2-1/2" x 25/64" deep
 Finish: Anochrome (ANO)
 Origin: Made in the USA
 Packed: 100 per carton



1088 ANOD Knob Pull

Finish: Zinc plated steel (ANOD)
 Packed: Sets of: 2 knobs, screws,
 and rubber bumpers per envelope
 50 sets per carton
 Features: Mounts to 1095 shoe (1092 assembly)



Finger Pulls

801X NP and 803X NP Flush Finger Pull

Size: 801X: 31/32" outside diameter,
 Bore 25/36" hole diameter, 1/4" depth
 803X: 31/32" outside diameter,
 Bore 25/36" hole diameter, 3/8" depth
 Finish: Nickel Plate (NP)
 Origin: Made in the USA
 Packed: 100 per carton



836 ANO Threaded Finger Pull

Size: 1-1/16" outside diameter, cut a 13/16" diameter hole
 for installation
 Finish: Anochrome (ANO)
 Origin: Made in the USA
 Packed: 50 per carton
 Features: Two-piece screw-together pull for glass 3/16"
 to 5/16" thick; with beveled edges



Mirror Clips/Glass Clips, Fittings and Latches

Mirror Clips/Glass Clips

6092 PLAS Plastic Mirror Clips

Size: For 1/4" thick glass/mirror
 Finish: Clear Plastic (PLAS)
 Packed: 100 per carton with screws



6094 PLAS Plastic Mirror Clip

Size: For 1/8" thick glass/mirror
 Finish: Clear Plastic (PLAS)
 Packed: 100 per carton with screws



266 CHR Cast Mirror Clip

Size: 1-1/16" long x 3/4" wide, for 1/4" thick glass/mirror
 Finish: Chrome (CHR)
 Packed: 12 per carton with screws



268 CHR Heavy-Duty Cast Mirror Clip

Size: 1-1/4" long x 11/16" wide, for 1/4" thick glass/mirror
 Finish: Chrome (CHR)
 Packed: 12 per carton with screws



277 ANO Bottom-Mount Steel Mirror Clip

Size: 1-1/2" wide x 1" high, for 1/4" thick glass/mirror
 Finish: Anochrome (ANO)
 Origin: Made in the USA
 Packed: 10 per carton
 Features: Screw attached bottom flange for snug mounting



278 ANO Top-Mount Steel Mirror Clip

Size: 1-1/2" wide x 1-1/8" high, for 1/4" thick glass/mirror
 Finish: Anochrome (ANO)
 Origin: Made in the USA
 Packed: 10 per carton
 Features: Screw attached upper flange for snug mounting



288 ANO Steel Mirror Clip

Size: 1/2" wide, for 1/4" thick glass/mirror
 Finish: Anochrome (ANO)
 Origin: Made in the USA
 Packed: 100 per carton



309 ANO Steel Mirror Clip

Size: 9/16" wide x 1-1/4" long, for 5/16" thick glass/mirror
 Finish: Anochrome (ANO)
 Origin: Made in the USA
 Packed: 100 per carton
 Features: Countersunk for #4 screws



318 ANO Steel Mirror Clip

Size: 9/16" wide x 1-1/4" long, for 5/16" thick glass/mirror
 Finish: Anochrome (ANO)
 Origin: Made in the USA
 Packed: 100 per carton
 Features: Countersunk elongated slot for #5 flat head screws; elongated mounting hole for adjustable installation



Fittings

306 ANO Glass Fitting

Size: 9/16" wide x 1-1/4" long
 Finish: Anochrome (ANO)
 Packed: 100 per carton
 Origin: Made in the USA
 Features: Countersunk for #4 screws



Latches

989 Series Secret Gate Latch

Size: 2" x 2-3/8"
 Finish: Aluminum
 Packed: 12 per carton
 Features: Interchangeable left or right hand mounting



989 Series Secret Gate Latch	
Product	Finish
989 ALUM	Aluminum

☐ Non-stock item – minimum order quantities and additional lead time may apply.

Index Followers, Label Holders, Locks and Pulls



Index Followers and Track

475F ZC Card Sized Index Follower

Size: Mounted plate is 2-11/16" from track and 4-3/4" wide
Finish: Anochrome (ANO)
Origin: Made in the USA
Packed: 10 per carton



476F ZC Letter Sized Index Follower

Size: Mounted plate is 7-5/8" from track and 10-3/4" wide
Finish: Anochrome (ANO)
Origin: Made in the USA
Packed: 10 per carton



476T ZC 26 Index Follower Track

Size: 26" long; may be recessed in a 2-1/4" x 1/4" slot
Finish: Anochrome (ANO)
Origin: Made in the USA
Packed: 10 per carton with screws



Label Holders

701 ANO Label Holder

Size: 2-5/8" x 1-7/16" for card dimension of 2" x 1"
Finish: Anochrome (ANO)
Origin: Made in the USA
Packed: 100 per carton



704 ANO Label Holder

Size: 3-1/2" x 1-3/4" for card dimension of 2-15/16" x 1-1/2"
Finish: Anochrome (ANO)
Origin: Made in the USA
Packed: 100 per carton



Drawer Locks

986 Series Drawer Lock

Size: Mounting flange: 1-1/2" x 2" wide with screw holes on 1-7/16" centers; barrel OD: 7/8"; bolt travel: 3/8"



Finish: Polished Nickel (NP)

Origin: Made in the USA

Packed: 12 per carton

Features: Available keyed alike; mounts to material up to 7/8" thick

986 Series Drawer Locks

Product	Finish	Keyed
986KA 70 NP	Nickel (NP)	Alike

Drawer Pulls

819X Flush Drawer Pull

Size: 1-3/4" x 3-1/4" x 9/16" deep with beveled edges
Finish: Anochrome (ANO), Dull Brass (BR)
Packed: 12 per carton with screws



819X Flush Drawer Pull

Product	Finish
819X ANO	Anochrome (ANO)
819X BR	Dull Brass (BR)

Fasteners and Hinges

Surface Fasteners

320 STL Table Top Fastener, 1" width
 323 STL Table Top Fastener, 5/8" width
 324 STL Table Top Fastener, 3/4" width
 Finish: Steel (STL)
 Origin: Made in the USA
 Packed: 100 per carton



341 ZC and 342 ZC Corner Brace
 Size: 341: 1" x 1" installed
 342: 2" x 2" installed
 Finish: Zinc (ZC)
 Origin: Made in the USA
 Packed: 100 per carton



1547 STL Desk Top Fastener
 Finish: Steel (STL)
 Origin: Made in the USA
 Packed: 100 per carton



1548 ZC Desk Top Fastener
 Finish: Zinc (ZC)
 Origin: Made in the USA
 Packed: 500 per carton



521 ZC Hanger Plate (1/16" steel)
 Size: 13/16" x 2"
 Finish: Zinc (ZC)
 Origin: Made in the USA
 Packed: 100 per carton
 Features: Use with 3/4" #10 flathead wood screws



Bolt Style Fastener

510 ZC Joint Fastener

Size: 4" bolt with plate 5/16" x 5/8" x 1-1/2"
 Finish: Zinc (ZC)
 Packed: 100 per carton
 Features: An economical fastener, easy to install



513 ZC Joint Fastener

Size: 4" bolt with flat bar plate
 7/16" x 3/16" x 1-1/4"
 Finish: Zinc (ZC)
 Packed: 100 per carton



517 ZC Joint Fastener

Size: 3-1/2" bolt with flat bar plate 7/16" x 3/16" x 1-1/4"
 Finish: Zinc (ZC)
 Packed: 100 per carton

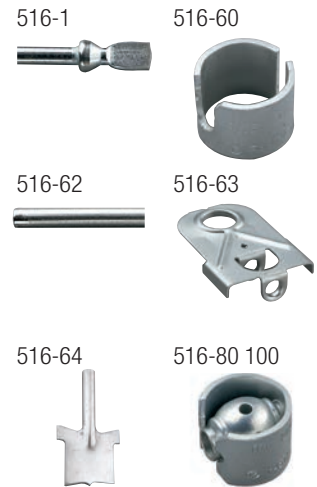


Tite-Joint® Fastener

516 ZC designed for 3/4" wood

Size: Center-to-center 2" to 3-1/2"
 Finish: Zinc (ZC)
 Origin: Made in the USA
 Features: Applies an even, controlled pressure between joint members to eliminate twisting and buckling

Pack Configurations		516 Fasteners Zinc (ZC)			516 Joint Fastener Accessory Parts	
Standard	25 per carton	Standard	Builders (BP)	Product	Description	Packed
Builders (BP)	100 per carton	516/25 ZC	516/100 ZC	516-1	Draw Bolt	1 per carton
				516-60	Locking Sleeve	1 per carton
				516-62	Tightening Rod	1 per carton
				516-63	Drill Guide	1 per carton
				516-64	Drill	1 per carton
				516-80 100	Tightening Assembly	1 per carton



Hinges

472 ANO Steel Support Hinge

Size: 6" or 10"
 Finish: Anochrome (ANO)
 Origin: Made in the USA



Pack Configurations		472 Support Hinges Standard Pack			472 Support Hinges Optional Pack	
Standard	12 pair (left and right handed) per carton with screws	Standard	Finish	Product	Finish	Handed
Optional	Left or right hand packaged separately in cartons of 24	472 ANO 6	Anochrome (ANO)	472L ANO 10	Anochrome (ANO)	Left
		472 ANO 10	Anochrome (ANO)	472R ANO 10	Anochrome (ANO)	Right

Locks and Door Rollers

Sliding Glass Door Locks

962KA 440 CHR Adjustable Ratchet Lock for 3/4" glass

963KA 440 CHR Adjustable Ratchet Lock for 1/4" glass*

Size: Adjustable 3/4" to 3-3/8"

Finish: Chrome (CHR)

Packed: 12 per carton

Features: 962 fits any door to 3/4" with thumbscrew adjustment
963 fits 1/4" sliding glass doors, keyed alike



965 Ratchet Locks

Size: Adjustable from 1" to 3-3/8"

Finish: Polished Nickel (NP)

Packed: 12 per carton

Features: Adjustable lock for 1/4" sliding glass doors



965 Ratchet Locks		
Product	Finish	Keyed
965KA 50 NP	Polished Nickel	Alike

984KA 90 NP Plunger Lock

Size: Mounting flange: 7/8" x 2" with screw holes on 1-1/2" centers; Barrel: 7/8" outside diameter; Plunger travel: 15/32"; Plunger receptacle: 1/2" (outside diameter) x 7/16"

Finish: Polished Nickel (NP)

Packed: 12 per carton

Features: Keyed alike only



Door Rollers

420 STL Door Roller

Size: Frame: 7/16" x 1-7/8";
Nylon roller: 9/16" diameter; 5/16" wide

Finish: Steel (STL)

Packed: 100 per carton



422 STL Door Roller

Size: Frame: 5/8" x 1-13/16";
Nylon roller: 9/16" diameter; 1/2" wide

Finish: Steel (STL)

Packed: 100 per carton



423 STL Door Roller

Size: Frame: 5/8" x 1-13/16";
Steel roller: 5/8" diameter; 1/2" wide

Finish: Steel (STL)

Packed: 100 per carton



424 STL Door Roller

Size: Frame: 1" x 2";
Steel roller: 5/8" diameter; 7/8" wide

Finish: Steel (STL)

Packed: 50 per carton



Sheaves

427 STL Steel Sheave

Size: Frame: 2-15/16" x 1/2"; Wheel: 1-3/16" diameter
Finish: Steel (STL)
Packed: 50 per carton
Features: Ball-bearing round groove sheave; for use with KV tracks 455, 467, and 469



607 ZC Side Mount Steel Sheave

Size: Frame: 2-5/16" x 1-5/16"; Wheel: 1-3/8" diameter
Finish: Steel (STL)
Packed: 50 per carton
Features: Heavy-duty ball-bearing sheave with side fastening plate; for use with KV tracks 455, 467, and 469



429 STL Steel Sheave

Size: Frame: 2-1/4" x 3/8"; Wheel: 1" diameter
Finish: Steel (STL)
Packed: 100 per carton
Features: Round groove sheave; for use with KV tracks 455, 467, and 469



620 STL Steel Sheave

Size: Frame: 7/16" x 1-7/8"; Wheel: 11/16" x 9/32"
Finish: Steel (STL)
Packed: 100 per carton
Features: Axle bearing grooved steel roller; for use with KV tracks 455, 467, and 469



430 STL Steel Sheave

Size: Frame: 2-3/4" x 1/2"; Wheel: 1-3/8" diameter
Origin: Made in the USA
Finish: Steel (STL)
Packed: 50 per carton
Features: Ball-bearing round groove sheave; for use with KV tracks 455, 467, and 469



400A STL Concealed Steel Sheave

Size: Case: 1-1/4" x 5/16"; Flange: 1-3/4" x 9/16"
Finish: Steel (STL)
Packed: 100 per carton
Features: Ball-bearing sheave drive type; for use with KV tracks 455, 467, and 469



430 N STL Neoprene Treaded Steel Sheave

Size: Frame: 2-3/4" x 1/2"; Wheel: 1-3/8" diameter
Finish: Steel (STL)
Packed: 50 per carton
Features: Flat neoprene tire, ball-bearing sheave; used without track



402 STL Concealed Steel Sheave

Size: Frame: 1-1/4" x 5/16"; Flange: 2-1/4" x 5/16"
Finish: Steel (STL)
Packed: 100 per carton
Features: Ball-bearing sheave; for use with KV tracks 455, 467, and 469



592 STL Convex Nylon Sheave

Size: Frame: 9/32" x 2-1/4"; Wheel: 1-3/16" diameter
Finish: Steel (STL)
Packed: 100 per carton
Features: Convex nylon wheel for thin doors; for use with inverted KV track 455



580 STL Concealed Steel Sheave

Size: Case: 1-1/4" x 5/16"; Flange: 1-3/4" x 9/16"
Finish: Steel (STL)
Packed: 100 per carton
Features: Nylon round groove sheave for light doors; for use with KV tracks 455, 467, and 469



594 NYLON Concave Nylon Sheave

Size: Frame: 2-15/16" x 1/2"; Wheel: 1-3/16" diameter
Finish: Steel (STL)
Packed: 50 per carton
Features: For doors to 1-1/8" thick; nylon round groove wheel; for use with all KV tracks



582 STL Concealed Steel Sheave

Size: Case: 1-1/4" x 5/16"; Flange: 2-1/4" x 5/16"
Finish: Steel (STL)
Packed: 100 per carton
Features: Nylon round groove sheave; for use with KV tracks 455, 467, and 469

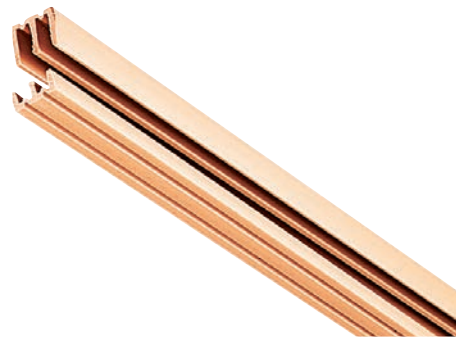


Plastic Door Track Assemblies for Sliding Doors

P2413 1/8" Door Assembly Kits

Size: 48", 72" lengths
 Finish: Tan (TAN)
 Packed: 10 kits per carton

P2413
TAN



P2413 1/8" Door Assembly Kits			
Product	Finish	Length	Door Size
P2413 TAN 48	Tan (TAN)	48"	1/8"
P2413 TAN 72	Tan (TAN)	72"	1/8"

P2417 1/4" Door Assembly Kits

Size: 48", 72" lengths
 Finish: Tan (TAN), White (WH)
 Packed: 10 kits per carton

P2417
TAN



P2417 1/4" Door Assembly Kits			
Product	Finish	Length	Door Size
P2417 TAN 48	Tan (TAN)	48"	1/4"
P2417 TAN 72	Tan (TAN)	72"	1/4"
P2417 WH 48	White (WH)	48"	1/4"
P2417 WH 72	White (WH)	72"	1/4"

P2421 1/2" Door Assembly Kits

Size: 48", 72" lengths
 Finish: Tan (TAN)
 Packed: 10 kits per carton

P2421
TAN

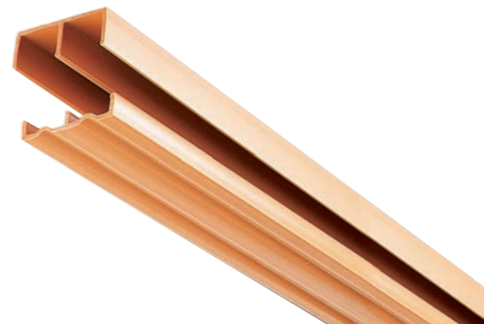


P2421 1/2" Door Assembly Kits			
Product	Finish	Length	Door Size
P2421 TAN 48	Tan (TAN)	48"	1/2"
P2421 TAN 72	Tan (TAN)	72"	1/2"

P2419 3/4" Door Assembly Kits

Size: 48", 72" lengths
 Finish: Tan (TAN)
 Packed: 10 kits per carton

P2419
TAN



P2419 3/4" Door Assembly Kits			
Product	Finish	Length	Door Size
P2419 TAN 48	Tan (TAN)	48"	3/4"
P2419 TAN 72	Tan (TAN)	72"	3/4"

Finish:



Tan
(TAN)



White
(WH)

☐ Non-stock item – minimum order quantities and additional lead time may apply.

Steel Tracks and Guides for Sliding Doors

455 STL 144 Lower Track

Size: 19/64" height x 21/32" width x 144" length
Finish: Wrought Steel (STL)
Origin: Made in the USA
Packed: 1 each



455 SS 144 Lower Track

Size: 19/64" height x 21/32" width x 144" length
Finish: Stainless Steel (SS)
Origin: Made in the USA
Packed: 1 each



467 STL 144 Lower Track

Size: 19/64" height x 7/16" width x 144" length
Finish: Steel (STL)
Origin: Made in the USA
Packed: 1 each



469 ZC 144 Double Lower Track

Size: Double track 1/4" height
Finish: Zinc (ZC)
Origin: Made in the USA
Packed: 1 each



953 ZC 144 Top Door Divider

Size: 5/8" height x 5/8" width x 144" length
Finish: Pre-coated Steel (ZC)
Origin: Made in the USA
Packed: 1 each
Features: Upper T-guide separates the sliding door at the top



Roll-Ezy Ball-Bearing Track Systems



Complete Assembly

P992 Large Glass Door Track Assembly Kit

Includes: (1) 993 Upper Channel, (2) 995 Shoe, (2) 997 Carrier,
(1) 999 Lower Track

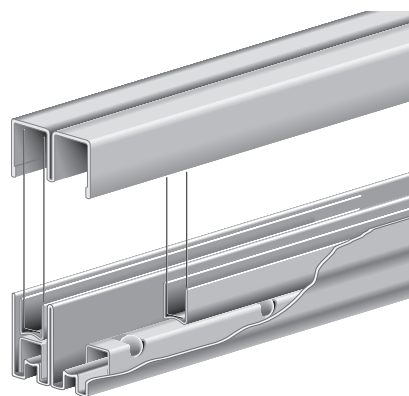
Origin: Made in the USA

Packed: 1 set per carton

Features: For large glass door applications, for 1/4" thick glass installations

Complete Assemblies	
Product	Installation Opening Width
P992 ZC 36	36"
P992 ZC 48	48"
P992 ZC 60	60"
P992 ZC 72	72"

Installation Notes & Recommendations:
Knape & Vogt does not recommend butt-joints and/or openings longer than 12 feet.
We recommend that the height to width ratio for glass doors should not exceed 2:1.



953 ZC 144 Top Door Divider

Size: 5/8" width x 5/8" height x 144" length

Finish: Zinc (ZC)

Origin: Made in the USA

Packed: 1 each

Features: Pre-coated steel upper T-guide for wood framed installations; for use with 1/4" glass doors only; for large glass door applications



993 ZC 144 Upper Channel

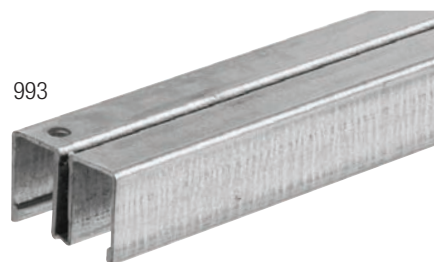
Size: 15/16" wide x 5/8" height x 144" length

Finish: Zinc (ZC)

Origin: Made in the USA

Packed: 1 each

Features: Upper channel for top and ends of opening; wide divider maintains door position; for large glass door applications



995 ZC 144 Door Shoe

Size: 21/64" wide x 7/16" height x 144" length

Finish: Zinc (ZC)

Origin: Made in the USA

Packed: 1 each

Features: Lightly curved bottom for free rolling position on ball-bearings; for 1/4" glass, scant or full; for large glass door applications



997 ZC 144 Ball Carrier

Size: 3/8" wide x 17/32" height x 144" length

Finish: Zinc (ZC)

Origin: Made in the USA

Packed: 1 each

Features: Ball-bearing carrier has free rolling balls on 3" centers; unique design creates two point suspension between shoe and lower rack; for large glass door applications



999 ZC 144 Lower Track

Size: 1" wide x 1" high x 144" length

Finish: Zinc (ZC)

Origin: Made in the USA

Packed: 1 each

Features: Balls ride freely on curved anvil with no contact against sides of lower track; for large glass door applications



NOTE: For each foot of opening use 1' of upper channel and lower track and shoe (plus 1" per door for overlap), with 1-1/2' of carrier (1-1/2 times door width for each door). Glass is cut 1-1/4" lower than height of opening.

Roll-Ezy Aluminum Track Systems

Complete Assembly



P1092 Small to Medium Glass Door Track Assembly Kit

Includes: (1) 1093 Upper Channel, (4) 1097 Rollers, (4) 1085 Vinyl Guides, (2) 1095 Shoe, (1) 1099 Lower Track

Packed: 1 set per carton

Features: For small to medium size glass door installations; for 1/4" thick glass



Complete Assemblies	
Product	Length
P1092 ANOD 36	36"
P1092 ANOD 48	48"
P1092 ANOD 60	60"
P1092 ANOD 72	72"

Installation Notes & Recommendations:
 Knape & Vogt does not recommend butt-joints and/or openings longer than 12 feet.
 We recommend that the height to width ratio for glass doors should not exceed 2:1.

1093 144 Upper Channel

Size: 1-3/16" width x 9/16" height x 144" length

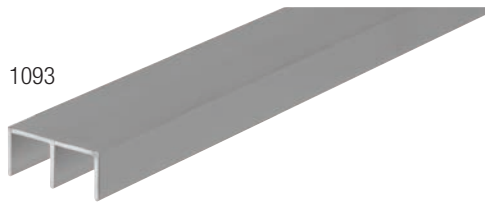
Finish: Aluminum (AL)

Origin: Made in the USA

Packed: 1 each

Features: Double channel for tops, bottoms, and ends; for small to medium size glass door installations; for 1/4" thick glass

1093



1095 144 Door Shoe

Size: 27/64" width x 1" height x 144" length

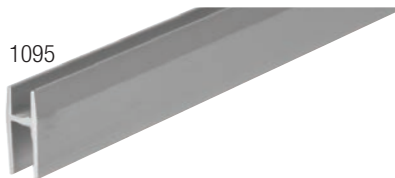
Finish: Aluminum (AL)

Origin: Made in the USA

Packed: 1 each

Features: Rollers to be inserted in the bottom; for small to medium size glass door installations; for 1/4" thick glass

1095



1096 144 Single Lower Track

Size: 31/64" width x 15/32" height x 144" length

Finish: Aluminum (AL)

Origin: Made in the USA

Packed: 1 each

Features: For single doors, or may be used with 1093 double channel for covered installation; for small to medium size glass door installations; for 1/4" thick glass

1096



NOTE: Cut glass 1-1/2" lower than opening when using 1096/1093 tracks

1099 144 Double Lower Track

Size: 1-1/16" width x 1/4" height x 144" length

Finish: Aluminum (AL)

Origin: Made in the USA

Packed: 1 each

Features: For small to medium size glass door installations; for 1/4" thick glass

1099



NOTE: Cut glass 1-3/16" lower than opening when using 1099 track

1085 VINYL Guide

Size: 7/8" length

Finish: Vinyl (VINYL)

Origin: Made in the USA

Packed: 100 per carton

Features: Vinyl guide fits over the top of glass for noiseless operation in upper channel; for small to medium size glass door installations; for 1/4" thick glass



1097 NYLON Nylon Rollers

Finish: Nylon (NYLON)

Origin: Made in the USA

Packed: 100 per carton

Features: Rubber roller press fits into bottom of 1095 shoe



1098 ZC Steel Ball-bearing Roller

Finish: Zinc (ZC)

Origin: Made in the USA

Packed: 20 per carton

Features: Steel ball-bearing roller press fits into bottom of 1095 shoe



1087 RUB Rubber Bumper

Finish: Rubber (RUB)

Packed: 100 per carton

Features: Rubber bumper installs in jambs to cushion glass

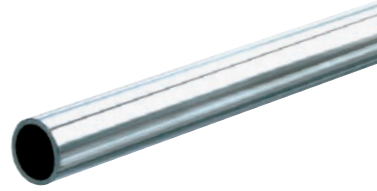


Round Closet Rods

660 Series Heavy-Duty Round Closet Rods

660 Series Heavy-Duty Round Closet Rod

Diameter: Outside 1-1/16"; Inside 29/32"; Wall thickness 0.087"
Finish: Stainless Steel (SS)
Origin: Made in the USA
Packed: 6 per carton
Features: Steel core with solid stainless steel



660 Series Heavy-Duty Round Closet Rods	
Length	Stainless Steel (SS)
72"	660 SS 72
96"	660 SS 96
120"	660 SS 120
144"	660 SS 144

750 Series Heavy-Duty Round Closet Rods

750 1 Heavy-Duty Round Closet Rod

Diameter: Outside: 1-1/16"; Inside: 29/32"; Wall thickness: 0.075"
Finish: Chrome (CHR)
Packed: 6 per carton



750 5 Heavy-Duty Round Closet Rod

Diameter: Outside 1-5/16"; Inside 1-5/32"; Wall thickness 0.075"
Finish: Chrome (CHR)
Packed: 6 per carton

750 Series Heavy-Duty Round Closet Rods		
Length	750 1 Series	750 5 Series
72"	750 1 72	750 5 72
96"	750 1 96	750 5 96
120"	750 1 120	750 5 120
144"	750 1 144	750 5 144

770 Series Extra-Duty Round Closet Rods

770 1 Extra-Duty Round Closet Rod

Diameter: Outside: 1-1/16"; Inside: 27/32"; Wall thickness: 0.106"
Finish: Chrome (CHR)
Packed: 6 per carton



770 5 Extra-Duty Round Closet Rod

Diameter: Outside: 1-5/16"; Inside: 61/64"; Wall thickness: 0.106"
Finish: Chrome (CHR)
Packed: 6 per carton

770 Series Extra-Duty Round Closet Rods		
Length	770 1 Series	770 5 Series
72"	770 1 72	770 5 72
96"	770 1 96	770 5 96
120"	770 1 120	770 5 120
144"	770 1 144	770 5 144

Round Closet Rod Mounting Flanges and Accessories

734 CHR Closed Wall-Mount Flange*

Finish: Chrome (CHR)
 Packed: 50 per carton with screws
 Holes: 2 screw holes on 2" centers
 Features: For 660, 750 1 and 770 1 Series Closet Rods



757 ANO Pilaster Flange*

Finish: Anochrome (ANO)
 Origin: Made in the USA
 Packed: 100 per carton
 Features: Fits 255 or 233 series pilaster; for 660, 750 1 and 770 1 Series Closet Rods



735 CHR Open Wall-Mount Flange*

Finish: Chrome (CHR)
 Packed: 50 per carton with screws
 Holes: 2 screw holes on 2" centers
 Features: For 660, 750 1 and 770 1 Series Closet Rods



632 CHR Line Bore Flange

Finish: Chrome (CHR)
 Packed: 100 per carton
 Features: Screw hole for extra mounting strength; two 5mm pins; for use with 750 1 and 770 1 Series Closet Rods



764 CHR Closed Wall-Mount Flange*

Finish: Chrome (CHR)
 Packed: 12 per carton with screws
 Holes: 3 holes spaced 1-1/8" from center
 Features: For 750 5 and 770 5 Series Closet Rods



760 ANO 24" Center Closet Rod Support

Finish: Anochrome (ANO)
 Origin: Made in the USA
 Packed: 12 per carton with screws
 Features: Center support 24" can be cut to size; for 660, 750 1 and 770 1 Series Closet Rods



766 CHR Open Wall-Mount Flange*

Finish: Chrome (CHR)
 Packed: 12 per carton with screws
 Holes: 2 holes on 2-1/4" centers, one at 90°
 Features: For 750 5 and 770 5 Series Closet Rods



730 ANO End Cap

Finish: Anochrome (ANO)
 Packed: 50 per carton
 Features: For use with 660 Series Closet Rods



731 ANO End Cap

Finish: Anochrome (ANO)
 Packed: 50 per carton
 Features: For 750 1 and 770 1 Series Closet Rods
 NOTE: May need to modify prongs for 750 1 installation



732 ANO End Cap

Finish: Anochrome (ANO)
 Packed: 50 per carton
 Features: For 750 5 and 770 5 Series Closet Rods
 NOTE: May need to modify prongs for 750 5 installation



☐ Non-stock item – minimum order quantities and additional lead time may apply.



* WoodWork Institute Acknowledged Products

880 Series Extra-Duty Oval Closet Rods

Oval Closet Rods

880 Series Oval Closet Rod

Size: 30mm high x 15mm wide; wall thickness 1.2mm

Finish: Chrome (CHR)

Packed: 10 per carton lengths

Features: Heavy gauge, invisible welded seam

Length	Chrome (CHR)
96"	880 CHR 96
144"	880 CHR 144



Mounting Flanges

881 CHR Mounting Flange

Finish: Chrome (CHR)

Packed: 50 per carton

Holes: Screw hole for extra mounting strength

Features: For use with 880 oval tubing; for line bore installation; two 5mm pins



Front

Back

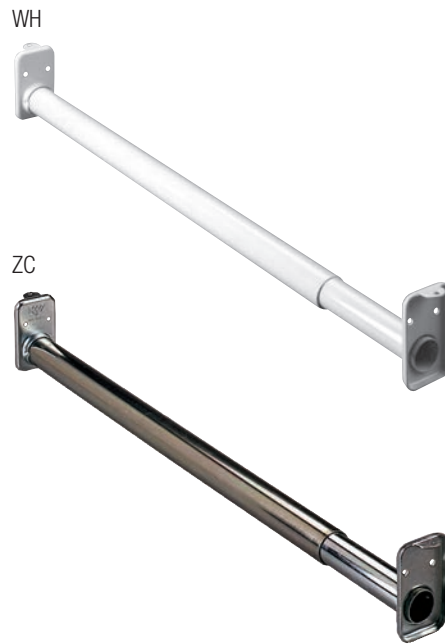
Adjustable Closet Rods

KV2 Series Adjustable Closet Rods

Finish: White (WH), Zinc (ZC)

Features: Attached end flanges; hardware included;
2-1/2" hook drop depth

Pack Configurations			
Standard Pack	10 per carton up to 60"-96" size; 5 per carton for 72"-120" and above		
Builders Pack (BP)	20 per carton		
	KV2 Zinc (ZC)	KV2 White (WH)	KV2BP Zinc (ZC)
Length	Standard Pack	Standard Pack	Builders Pack (BP)
18"-30"	KV2 ZC 18	KV2 WH 18	KV2BP ZC 18
30"-48"	KV2 ZC 30	KV2 WH 30	KV2BP ZC 30
48"-72"	KV2 ZC 48	KV2 WH 48	-
60"-96"	KV2 ZC 60	KV2 WH 60	-
72"-120"	KV2 ZC 72	KV2 WH 72	-
96"-144"	KV2 ZC 96	-	-



29201 ANO Center Hanger Support

Finish: Anochrome (ANO)

Packed: 12 per carton

Features: Use with installations of 72" or more in width



0020 Series Heavy-Duty Adjustable Closet Rods

Diameter: 1-1/4" outside diameter

Finish: Brushed Nickel (BN), Bronze (BRZ), Chrome (CH), Warm White (WT)

Packed: 6 per carton

Features: Adjustable heavy-duty closet rods are quick and simple to install and create a quality finished look; the rod quickly attaches to included flanges for easy installation, no cutting necessary; hardware included

Heavy-Duty Adjustable Closet Rods				
Length	Brushed Nickel (BN)	Bronze (BRZ)	Chrome (CH)	Warm White (WT)
30"-48"	RP0020-30/48BN	RP0020-30/48BRZ	RP0020-30/48CH	RP0020-30/48WT
48"-72"	RP0020-48/72BN	RP0020-48/72BRZ	RP0020-48/72CH	RP0020-48/72WT
72"-120"	RP0020-72/120BN	RP0020-72/120BRZ	RP0020-72/120CH	RP0020-72/120WT



Closet Shelf Brackets

Regular-Duty Adjustable Shelf Bracket

Finish: Warm White (WT)

Packed: 20 per carton

Features: Holds up to 150 lbs. per pair; install with or without wall cleat; 13 gauge steel platform; 16 gauge steel support strut; for 11" to 14" deep shelves; adjusts from 10-1/4" to 10-3/4"



Size	Warm White (WT) Finish
12"	0040

Heavy-Duty Fixed Shelf Bracket

Size: 12", 16", 20"

Finish: Chrome (CH), Warm White (WT)

Packed: 20 per carton

Features: Holds up to 500 lbs. per pair; 14 gauge steel construction



Size	Chrome (CH) Finish	Warm White (WT) Finish
12"	RP-0046-CH	RP-0046-WT
16"	–	RP-0046-15WT
20"	–	RP-0048-19WT

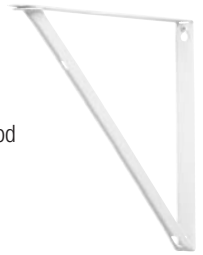
Heavy-Duty Fixed Shelf Bracket

Size: 16", 20"

Finish: Warm White (WT)

Packed: 20 per carton

Features: Holds up to 500 lbs. per pair; optional rod hook (WS46-WT HOOK); 14 gauge steel construction



Size	Warm White (WT) Finish
16"	WS46-12WT
20"	WS46-16WT

Closet Rod Hook

Finish: Warm White (WT)

Packed: 20 per carton

Features: For 1-1/4" to 1-5/16" closet rod; for use with 1188 bracket



Product	Finish
WS46-CPS	Warm White (WT)

Closet Rods and Shelf Brackets

Adjustable Closet Rod and Shelf Brackets

Economy Rod and Shelf Bracket

Finish: Warm White (WT)

Packed: 40 per carton

Hook Depth: 2-1/2"

Features: Holds up to 150 lbs. per pair; use with up to 11"-14" deep shelves; must be installed with wall cleat; 12 gauge steel platform; KV2 compatible



Warm White (WT)
0041-B

Regular-Duty Adjustable Rod and Shelf Bracket

Finish: Warm White (WT)

Packed: 20 per carton

Hook Depth: 2-1/2"

Features: Holds up to 300 lbs. per pair; KV2 compatible; use with up to 1-3/8" OD closet rods; for 11"-14" deep shelves; install with or without wall cleat; shelf platform is 10" without cleat; 14 gauge steel platform



Warm White (WT)
RP-0042-BWT

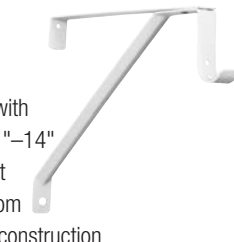
Regular-Duty Adjustable Rod and Shelf Bracket

Finish: Warm White (WT)

Packed: 20 per carton

Hook Depth: 3"

Features: Holds up to 300 lbs. per pair; use with up to 1-3/8" OD closet rods; for 11"-14" deep shelves; install with or without wall cleat; shelf platform adjusts from 10-1/4"-10-3/4"; 14 gauge steel construction



Warm White (WT)
RP-0043-WT

Heavy-Duty Adjustable Rod and Shelf Bracket

Finish: Cream White (CREAM),
Bright White (WH)

Packed: 10 per carton

Hook Depth: 3"

Features: Holds up to 500 lbs. per pair; use with up to 1-3/8" OD closet rods; for 11"-14" deep shelves; install with or without wall cleat; shelf platform adjusts from 10-1/4" - 10-3/4"; low profile design; 13 gauge steel construction



Cream White (CREAM)	Bright White (WH)
1194 CREAM	1194 WH

Fixed Closet Rod and Shelf Brackets

Regular-Duty Fixed Rod and Shelf Bracket

Finish: Warm White (WT)

Packed: 20 per carton

Hook Depth: 2-1/2"

Features: Holds up to 400 lbs. per pair; KV2 compatible; use with up to 1-3/8" OD closet rods; for 11"-14" deep shelves; 10-7/8" shelf platform; one-piece design provides superior strength; 16 gauge steel construction



Warm White (WT)
RP-0044-BWT

Heavy-Duty Fixed Rod and Shelf Bracket

Finish: Cream White (CREAM)

Bright White (WH)

Packed: 10 per carton

Hook Depth: 2-1/2"

Features: Holds up to 500 lbs. per pair; KV2 compatible; use with up to 1-3/8" OD closet rods; for 11"-14" deep shelves; 11" shelf platform; 12 gauge steel construction



Cream White (CREAM)	Bright White (WH)
1195 CREAM	1195 WH

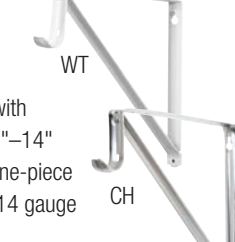
Heavy-Duty Fixed Rod and Shelf Bracket

Finish: Chrome (CH), Warm White (WT)

Packed: 20 per carton

Hook Depth: 3"

Features: Holds up to 500 lbs. per pair; use with up to 1-3/8" OD closet rods; for 11"-14" deep shelves; 11" shelf platform; one-piece design provides superior strength; 14 gauge steel construction



Chrome (CH)	White (WT)
RP-0045-CH	RP-0045-WT

Heavy-Duty Fixed Rod and Shelf Bracket

Finish: Warm White (WT)

Packed: 20 per carton

Hook Depth: 3"

Features: Holds up to 500 lbs. per pair; use with up to 1-3/8" OD closet rods; for 10-1/2" - 14" deep shelves; 10-5/16" shelf platform; patented Slide-Thru™ feature; 14 gauge steel construction



Warm White (WT)
RP-0052-WT

☐ Non-stock item – minimum order quantities and additional lead time may apply.

Closet Rods and Shelf Brackets

Fixed Closet Rod and Shelf Brackets

Extra-Duty Fixed Rod and Shelf Bracket

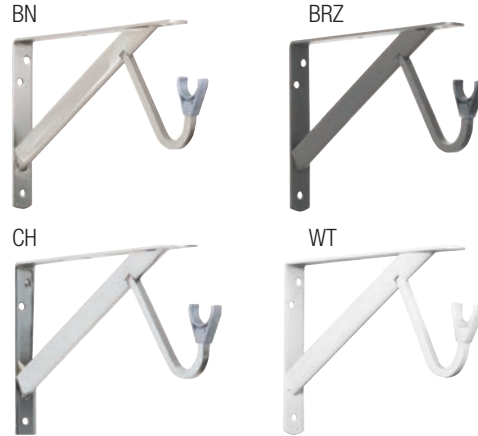
Finish: Brushed Nickel (BN), Bronze (BRZ), Chrome (CH), Warm White (WT)

Packed: 10 per carton – BN, CH, WT
6 per carton – BRZ

Hook Depth: 3"

Features: Holds up to 1,000 lbs. per pair; for 11-1/2" –14" deep shelves; snap-in pole feature for 1-1/4" – 1-5/16" OD closet rods; 11" -1/4" shelf platform; patented Slide-Thru™ feature; 10 gauge steel construction

Brushed Nickel (BN)	Bronze (BRZ)	Chrome (CH)	White (WT)
RP-0495-BN	RP-0495-BRZ	RP-0495-CH	RP-0495-WT



Heavy-Duty Fixed Rod and Shelf Bracket

Finish: Warm White (WT)

Packed: 5 per carton

Hook Depth: 3-3/4"

Features: Holds up to 500 lbs. per pair; for 14"–18" deep shelves; snap-in pole feature for 1-1/4"–1-5/16" OD closet rods; 14" shelf platform; patented Slide-Thru™ feature; 13 gauge steel construction

Warm White (WT)
RP-0496-WT



Utility and Coat Hooks

Utility Hooks

1132 ANO Single Prong Utility Hook

Size: 4", 6" and 10"
 Finish: Anochrome (ANO)
 Origin: Made in the USA
 Packed: 12 per carton with screws
 Features: Sturdy hook for commercial use



SKU Number	Length
1132 ANO 4	4"
1132 ANO 6	6"
1132 ANO 10	10"

PKV3 ANO Heavy-Duty Single Prong Utility Hook

Size: 5-1/2" or 10" lengths
 Finish: Anochrome (ANO)
 Origin: Made in the USA
 Packed: 10 units per carton with screws
 Features: Sturdy steel rod for extra hanging space



SKU Number	Length
PKV3 ANO 5-1/2	5-1/2"
PKV3 ANO 10	10"

Garment Hook

2038 CHR Coat and Hat Hook

Finish: Chrome (CHR)
 Packed: 12 units per carton with screws
 Features: Classic institutional garment hook;
 coat and hat hook



Valet Rods, Clothing Carriers and Towel Bars

Hang Rod

753 ANO Telescopic Valet Rod

Size: 7/16" diameter rod, extends 5/8"–8-1/4"

Finish: Anochrome (ANO)

Origin: Made in the USA

Packed: 1 per carton with screws; 12 per carton

Features: Extends from 5/8"–8-1/4"; for convenient hanging storage; retract to get it out of the way when not in use



Clothing Carrier

KV1 ANO Clothing Carrier

Size: 10": fits 10" shelf only

12": fits 12"–16" depth shelves

16": fits 16"–20" depth shelves

20": fits 20"–24" depth shelves

Finish: Anochrome (ANO)

Origin: Made in the USA

Packed: 1 per bag with screws, 12 bags per carton

Features: Mounts under closet shelves, greatly increasing capacity, and makes garments more accessible



SKU Number	Travel
KV1 ANO 10	10"
KV1 ANO 12	12"
KV1 ANO 16	16"
KV1 ANO 20	20"

Heavy-Duty Slide-Out Towel Bar

P793 ANO Slide-Out Towel Bar

Size: 18" length x 5" width

Finish: Anochrome (ANO)

Packed: 10 units per carton

Features: Side mounts to either left or right hand side of the cabinet; rack mounts with 4 screws; all steel construction; three bars accommodate at least three towels or cloths



Index

Index	213C 80	580 98	2038 110	GS4200 25
4x4 Pocket Door Full Overlay Kit 61	215 86	582 98	2070 31	GS4260 26
0020 106	217 86	592 98	4101B 14, 15	GS4270 27
0035 86	221 85	594 98	4104B 14, 15	GS4340 25, 26, 27
0036 86	229 66	607 98	4400 14	KV1 111
71 68	233 67	620 98	4450 15	KV2 106
80 69	237 63, 67	632 104	4461D 53	MuV+ 32
80-88DP 70	238 67	660 103	4500 29	MUV1D-RL 32, 33, 34, 35
82 73	239 66	701 95	6092 94	MUV2D-RL 32, 33, 34, 35
82DP 64, 73	242 67	704 95	6094 94	MUV3D-RL 32, 33, 34, 35
83 75	243 66	730 104	6300 48	MuV+34 33
85 77	244 66	731 104	6400 49	MuV+34HD 35
87 79, 81	255 65	732 104	6500 37	MUV-124 32, 33, 34, 35
87-10 80	255-81N 67	750 103	6875 94	MuV+HD 34
101 12, 63, 72	256 66	753 111	8000 50	MUV-RBM 32, 33
102 63, 72	266 94	757 66, 104	8050 56	MUV-RBP 32, 33
103 63, 72	268 94	760 104	8070 58	P793 111
103-1/2L 72	277 94	764 104	8071 58	P992 101
103-1/2R 72	278 94	766 104	8072 58	P1092 102
104 72	288 94	770 103	8080 59	P2413 99
104-1/2 72	306 94	813 93	8081 59	P2417 99
106 64, 77, 103	309 94	819X 95	8082 59	P2419 99
107 64, 77	320 96	880 105	8090P 58, 59, 60	P2421 99
113L 75, 77	323 96	881 105	8091 60	PKV3 110
113R 75, 77	324 96	901 93	8092 60	Salice Hinge Kits 62
0117 86	326 83	903 93	8150 54	TT100 28
0118 86	330 83	905 93	8157 54	TT401 28, 29
119 72, 75, 80, 92	331 84	918 93	8250 55	
129 1, 72, 77, 80	332 83	953 100, 101	8350 13	
134 75	333 84	962KA 97	8400 17-18	
135 75	335 84	963KA 97	8400RV 22	
136 72	338 83	965 97	8401 18, 19, 20, 21	
137 72	339 83	984KA 97	8402 18, 19, 20, 21	
154 72	340 83	986 95	8404 18, 19, 20, 21, 22, 24	
159LL 75, 77	341 96	989 94	8405 19	
160LL 71	342 96	993 101	8407 20	
161LL 63, 64, 76	345 83	995 101	8414 21	
170 68	346 84	997 101	8417 22	
179 71	348 83	999 101	8419 22	
180 70	400A 98	1085 102	8420 23	
181 71	402 98	1087 102	8450FM 24	
182 74	420 97	1088 93	8455FM 24	
182BE 64, 73	422 97	1093 102	8500 38	
182DP 64, 73	423 97	1095 102	8500T 51	
183 76	424 97	1096 102	8505 38	
185 78	427 98	1097 102	8520 39	
186LL 80	429 98	1098 102	8525 39	
186LL SS 82	430 98	1099 102	8600 40	
187LL 80	455 100	1123 10, 11	8620 41	
187LL SS 82	467 100	1132 110	8650FM 42	
191 75, 77	469 100	1175 10	8810 43	
192 75, 77	472 96	1300 11	8820 44	
200 87, 88	475F 95	1303 11	8900 45	
201 89, 90	476F 95	1304 11	8908 46	
206 85	476T 95	1547 96	8909 46	
208 85	510 96	1548 96	8910 46	
210 68, 80	513 96	1805 12	24276 66	
211 80	516 96	1980 91	29201 106	
212 80	517 96	1987 79	GS2070 31	
	521 96	1987 SS 81		

Knappe and Vogt Limited Warranty

Limited Lifetime Warranty for Commercial Business Products

15 Year Limited Warranty for Ergonomics Products

This warranty is given to the initial purchaser of new commercial and ergonomic products purchased from Knappe & Vogt Manufacturing Company and its subsidiaries. The warranty covers defects in materials and workmanship. The warranty does not apply to defects resulting from misuse, damage or abuse, normal wear and tear, accident, modification, improper installation or maintenance, third party materials or damage during shipping. The warranty is not transferable and does not cover any subsequent purchasers of the products.

Definitions of the specific warranty time periods by product can be obtained from Customer Service at 1.800.253.1561. The warranty time period begins on the date of purchase for all products. Applicable warranty time periods are based on one 8-hour shift per day usage, and warranty time periods are adjusted and shortened proportionally for any multiple shift or excess usage.

During the warranty period, Knappe & Vogt, will, at its option, repair or replace any defective product with a comparable product or component. This limited warranty is for repair or replacement of defective products only and does not cover any other costs such as removal, installation, or other related expenses.

For warranty service, please contact Knappe & Vogt Manufacturing Company, 2700 Oak Industrial Drive, Grand Rapids, MI 49505, Attention: Customer Service. Information regarding the claimed defect and date of purchase of the product must be provided. Any defective product must be returned postage or freight prepaid to Knappe & Vogt.

THIS LIMITED WARRANTY CONSTITUTES THE ONLY WARRANTY FOR THE PRODUCTS AND ALL OTHER WARRANTIES OR REPRESENTATIONS, EXPRESS OR IMPLIED, BY OPERATION OF LAW OR OTHERWISE, INCLUDING BUT NOT LIMITED TO ANY IMPLIED WARRANTY OF MERCHANTABILITY OR FITNESS FOR A PARTICULAR PURPOSE, ARE EXPRESSLY DISCLAIMED. (Some states do not allow limitations on how long an implied warranty lasts.)

THIS LIMITED WARRANTY CONSTITUTES THE SOLE REMEDY AVAILABLE WITH REGARD TO ANY DEFECTIVE PRODUCTS. KNAPE & VOGT SHALL NOT BE LIABLE FOR ANY INCIDENTAL, INDIRECT, CONSEQUENTIAL OR SPECIAL DAMAGES, INCLUDING WITHOUT LIMITATION, LOSS OF TIME, INCONVENIENCE, OR LOST REVENUES OR PROFITS. (Some states do not allow the exclusion or limitation of incidental or consequential damages.)

Copyright ©2019 Knappe & Vogt Manufacturing Company, all rights reserved.
Standard KV Commercial Warranty

Return Policy

Return Policy for special order or nonstock items:

We're sorry, we cannot accept returns on nonstock products or special order products unless there is a Knapé & Vogt error — which we will be happy to correct. To return product(s), please follow these procedures:

Please contact Knapé & Vogt Customer Service at 1.800.253.1561. A Customer Service Representative will assist you with getting a Return Goods Authorization (RGA) number. The original P.O. is required to receive a RGA number. Please return product within 30 days of issuance of the RGA number.

Restocking Fees:

- All resalable product returned in original resalable packaging will be assessed a 25% fee for restocking and handling.
- Minimum fee is \$25.
- All resalable products not returned in resalable original packaging will be assessed a 25% fee for repackaging in addition to the 25% restocking and handling fee.
- Above referenced fees will be waived on returns resulting from a Knapé & Vogt error.

Shipping:

You are responsible for all return shipping charges to return the product unless we made an error in shipping your order, i.e., the product we shipped is not the one you ordered, or is defective.

In the US, please ship to: Knapé & Vogt

Return Goods Department, 3800 Eastern Ave SE, Wyoming, MI 494509

In Canada, please ship to:

Knapé and Vogt/ Vanguard, Attn: Return Goods Department, 265 Export Blvd, Mississauga, ON L5S 1Y4

- Ensure the product(s) are properly packaged to prevent shipping damage.
- Include RGA number with return.
- Ensure all products returned match quantities and products listed on the assigned RGA.

Credit:

- A credit memo will be issued upon inspection and approval of the returned product.
- Upon receipt and inspection Knapé & Vogt will determine credit amount and notify you of any discrepancies.
- DO NOT make any financial adjustments to your account prior to Knapé and Vogt issuing a credit memo for returned goods.
- Please allow a minimum of 14 days for us to receive and process your return.
- We will credit or refund the value of the product total and any taxes you were charged less applicable fees. (excluding delivery charges).
- Refunds will be given in the same form of payment. Adjustments to credit cards should appear within two billing cycles.

Replacement Orders:

- Any replacement orders will be charged to your account.
- A credit memo will be issued for returned products that have been approved.

RGA Status Information:

- Visit www.customercareconnection.com.
- Enter your account information.
- If you do not already have your account set up for this free service, please register at www.customercareconnection.com.
- Your satisfaction is our priority. We are happy to accept returns or exchanges for any resalable or defective products within 60 days of the shipping date.



KNAPPE & VOGT®

2700 Oak Industrial Dr. NE
Grand Rapids, MI 49505-6026 USA
Tel: 1.800.253.1561 | 616.459.3311
Fax: 877.636.3290
www.kv.com

This and other KV literature is available for download at www.kv.com > Resource Library

Knappe & Vogt reserves the right to change product specifications at any time without notice and without incurring responsibility for existing units.

©2019 Knappe & Vogt. KV and the KV logo are trademarks of Knappe & Vogt.

OL2041/1219